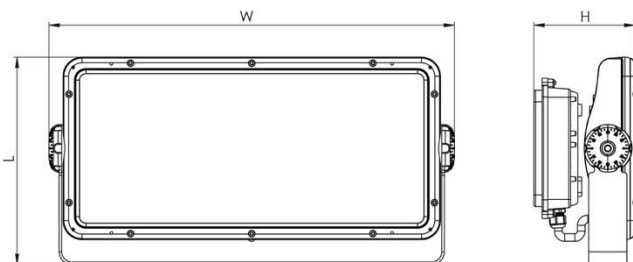


SPECIFICATION

Distribution	Direct floodlight
Colour Temperature CCT	4000K
Optic	1 x luminaire
Output	1 2 3
Finish	Grey RAL7043
Efficacy	Up to 155 lm/W
CRI	70+
MacAdam Ellipse	3
Controls	Fixed output DALI
Installation	Surface/wall
Dimensions	L 640 x W 165 x H 320 mm
Material	Aluminium\tempered glass
Ingress Protection	IP65
Impact Rating	IK08
Operating Voltage	220-240V 50/60Hz
Connection	Screw terminal, 3x1x2.5mm ²
Lifetime	135000/L80B10
Operating Temperature	-40°C ~40°C
Conformity	UKCA, CE, RoHS, IEC:I
Weight	15.7 kg
Warranty	5 years



DIMENSIONS



KATO 1 – 4000K

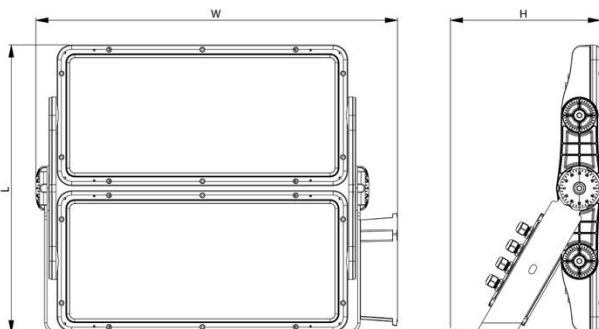
OPTIC	CCT	OUTPUT	POWER	BEAM/OPTIC	LUMENS (lm)	WEIGHT (kg)
x 1	4000K	1	335,5W	30°	52056lm	15.63
x 1	4000K	2	383W	30°	58384lm	15.63
x 1	4000K	3	488,3W	30°	70868lm	15.63
x 1	4000K	1	335,5W	45°	52056lm	15.63
x 1	4000K	2	383W	45°	58384lm	15.63
x 1	4000K	3	488,3W	45°	70868lm	15.63
x 1	4000K	1	335,5W	60°	52056lm	15.63
x 1	4000K	2	383W	60°	58384lm	15.63
x 1	4000K	3	488,3W	60°	70868lm	15.63
x 1	4000K	1	335,5W	90°	50377lm	15.63
x 1	4000K	2	383W	90°	56500lm	15.63
x 1	4000K	3	488,3W	90°	68582lm	15.63
x 1	4000K	1	335,5W	asymmetric	45899lm	15.63
x 1	4000K	2	383W	asymmetric	51478lm	15.63
x 1	4000K	3	488,3W	asymmetric	62486lm	15.63
x 1	4000K	1	335,5W	asymmetric	47018lm	15.63
x 1	4000K	2	383W	asymmetric	52734lm	15.63
x 1	4000K	3	488,3W	asymmetric	64010lm	15.63
x 1	4000K	1	335,5W	street asymmetric	48138lm	15.63
x 1	4000K	2	383W	street asymmetric	53989lm	15.63
x 1	4000K	3	488,3W	street asymmetric	65534lm	15.63

SPECIFICATION

Distribution	Direct floodlight
Colour Temperature CCT	4000K
Optic	2 x luminaires
Output	1 2 3
Finish	Grey RAL7043
Efficacy	Up to 155 lm/W
CRI	70+
MacAdam Ellipse	3
Controls	Fixed output DALI
Installation	Surface/wall
Dimensions	L 750 x W 300 x H 580 mm
Material	Aluminium\tempered glass
Ingress Protection	IP65
Impact Rating	IK08
Operating Voltage	220-240V 50/60Hz
Connection	Screw terminal, 3x1x2.5mm ²
Lifetime	135000/L80B10
Operating Temperature	-40°C ~40°C
Conformity	UKCA, CE, RoHS, IEC:I
Weight	34.5 kg
Warranty	5 years



DIMENSIONS



KATO 2 – 4000K

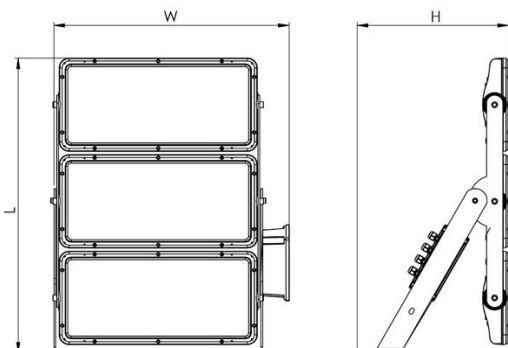
OPTIC	CCT	OUTPUT	POWER	BEAM/OPTIC	LUMENS (lm)	WEIGHT (kg)
x 2	4000K	1	671W	30°	104112lm	34.48
x 2	4000K	2	766W	30°	116767lm	34.48
x 2	4000K	3	976,6W	30°	141736lm	34.48
x 2	4000K	1	671W	45°	104112lm	34.48
x 2	4000K	2	766W	45°	116767lm	34.48
x 2	4000K	3	976,6W	45°	141736lm	34.48
x 2	4000K	1	671W	60°	104112lm	34.48
x 2	4000K	2	766W	60°	116767lm	34.48
x 2	4000K	3	976,6W	60°	141736lm	34.48
x 2	4000K	1	671W	90°	100753lm	34.48
x 2	4000K	2	766W	90°	113000lm	34.48
x 2	4000K	3	976,6W	90°	137164lm	34.48
x 2	4000K	1	671W	asymmetric	91797lm	34.48
x 2	4000K	2	766W	asymmetric	102956lm	34.48
x 2	4000K	3	976,6W	asymmetric	124971lm	34.48
x 2	4000K	1	671W	asymmetric	94036lm	34.48
x 2	4000K	2	766W	asymmetric	105467lm	34.48
x 2	4000K	3	976,6W	asymmetric	128019lm	34.48
x 2	4000K	1	671W	street asymmetric	96275lm	34.48
x 2	4000K	2	766W	street asymmetric	107978lm	34.48
x 2	4000K	3	976,6W	street asymmetric	131067lm	34.48

SPECIFICATION

Distribution	Direct floodlight
Colour Temperature CCT	4000K
Optic	3 x luminaires
Output	1 2 3
Finish	Grey RAL7043
Efficacy	Up to 157 lm/W
CRI	70+
MacAdam Ellipse	3
Controls	Fixed output DALI
Installation	Surface/wall
Dimensions	L 637 x W 464 x H 900 mm
Material	Aluminium\tempered glass
Ingress Protection	IP65
Impact Rating	IK08
Operating Voltage	220-240V 50/60Hz
Connection	Screw terminal, 3x1x2.5mm ²
Lifetime	135000/L80B10
Operating Temperature	-40°C ~40°C
Conformity	UKCA, CE, RoHS, IEC:I
Weight	41.5 kg
Warranty	5 years



DIMENSIONS



KATO 3 – 4000K

OPTIC	CCT	OUTPUT	POWER	BEAM/OPTIC	LUMENS (lm)	WEIGHT (kg)
x 3	4000K	1	1006,5W	30°	156167lm	41.5
x 3	4000K	2	1148,9W	30°	175151lm	41.5
x 3	4000K	3	1464,9W	30°	212604lm	41.5
x 3	4000K	1	1006,5W	45°	156167lm	41.5
x 3	4000K	2	1148,9W	45°	175151lm	41.5
x 3	4000K	3	1464,9W	45°	212604lm	41.5
x 3	4000K	1	1006,5W	60°	156167lm	41.5
x 3	4000K	2	1148,9W	60°	175151lm	41.5
x 3	4000K	3	1464,9W	60°	212604lm	41.5
x 3	4000K	1	1006,5W	90°	151130lm	41.5
x 3	4000K	2	1148,9W	90°	169501lm	41.5
x 3	4000K	3	1464,9W	90°	205745lm	41.5
x 3	4000K	1	1006,5W	asymmetric	137696lm	41.5
x 3	4000K	2	1148,9W	asymmetric	154434lm	41.5
x 3	4000K	3	1464,9W	asymmetric	187457lm	41.5
x 3	4000K	1	1006,5W	asymmetric	141054lm	41.5
x 3	4000K	2	1148,9W	asymmetric	158201lm	41.5
x 3	4000K	3	1464,9W	asymmetric	192029lm	41.5
x 3	4000K	1	1006,5W	street asymmetric	144413lm	41.5
x 3	4000K	2	1148,9W	street asymmetric	161967lm	41.5
x 3	4000K	3	1464,9W	street asymmetric	196601lm	41.5

ORDER CODE

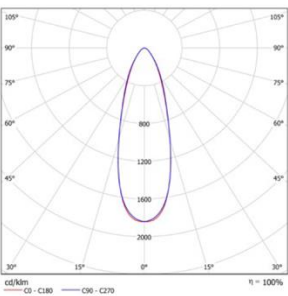
KATO-1-4-30-1

PREFIX	TYPE	CCT	BEAM/OPTIC	OUTPUT
KATO-	1	4 4000K	30	1
	1 x luminaire		30° optic	Low
	2		40	2
	2 x luminaire		40° optic	Standard
	3		60	3
	3 x luminaire		60° optic	High
			90	
			90° optic	
			ASY1	
			Asymmetric 1	
	ASY2			
	Asymmetric 2			
	STREET			
	Street asymmetric			

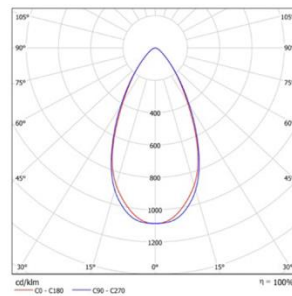
OPTIONS

D	DALI dimming functionality
----------	----------------------------

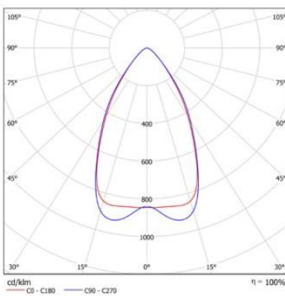
30°



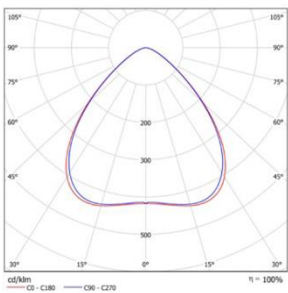
40°



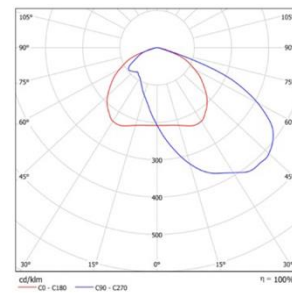
60°



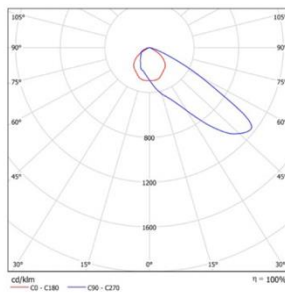
90°



AS1



AS2



STREET

