



PIPE R – EXTERIOR LUMINIAIRE

Our PIPE exterior luminaires feature a robust cylindrical design, engineered for optimal wall wash light distribution. Constructed with a powder-coated die-cast aluminium housing and tempered safety glass, they ensure long-lasting reliability in outdoor surface-mounted and façade applications.

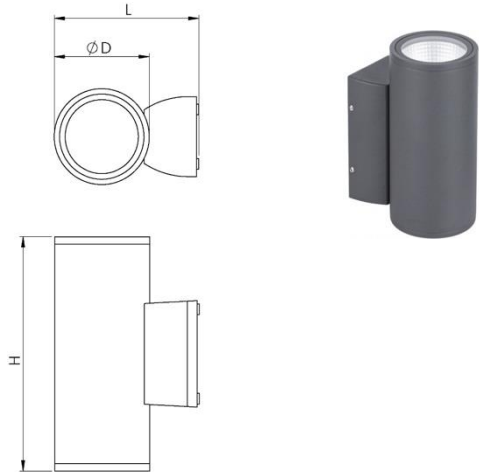
FEATURES

- Wall/facade installation
- Direct/indirect light distribution
- 36° reflector
- Wall wash illumination
- 3000K/4000K
- Lumen efficacy up to 100 lm/W
- CRI80+
- Dark grey finish
- Tempered glass
- IP65 secure ingress protection
- IK08 impact rating
- 3 year warranty

SPECIFICATION

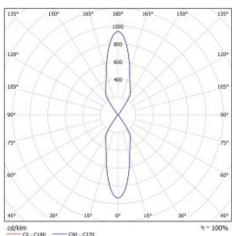
Power	12.5W	27W		
Diameter	Ø90 mm	Ø108 mm		
Colour Temperature CCT	3000K	4000K	3000K	4000K
Lumen Output	1200 lm	1250 lm	2080 lm	2160 lm
Efficacy	Up to 100 lm/W			
Beam Angle/Optic	Reflector 36°			
CRI	80			
Installation	Wall			
Distribution	Direct/indirect			
Controls	Fixed Output			
Finish	Dark Grey RAL7043			
Mains Voltage	220-240V, 50/60Hz			
Power Factor	>0.85			
Diameter – Ø90	Ø90 x L 132 x H 220 mm			
Diameter – Ø108	Ø108 x L 156 x H 260 mm			
Material	Aluminium / tempered glass			
Connection	Screw terminal 3x1x2.5mm ²			
Ingress Protection	IP65			
Impact Rating	IK08			
Lifetime	50,000hrs /L80B50			
Operating Temperature	-30°C ~45°C			
Protection IEC	Class I			
Weight	0.7-1.6 kg			
Conformity	No UV or IR Emissions, UKCA, CE, RoHS			
Warranty	3 Years			

DIMENSIONS



PHOTOMETRY

REFLECTOR 36°
3000K DIR/IND



PRODUCT ORDER CODE

EXAMPLE: PIPE-WDIR3GF90

PREFIX	INSTALLATION	DISTRIBUTION	OPTIC	CCT	FINISH	DRIVER	DIMENSIONS
PIPE-	W wall	DI direct/indirect	R reflector 36°	3 3000K	G grey	F fixed output	90 Ø90mm
				4 4000K			108 Ø108mm