

ILO 70 – LINEAR

Our ILO slimline linear luminaire is designed for functionality and crafted to seamlessly complement any interior setting. With a comprehensive range of options and accessories, this luminaire can be customised to meet your unique lighting requirements.

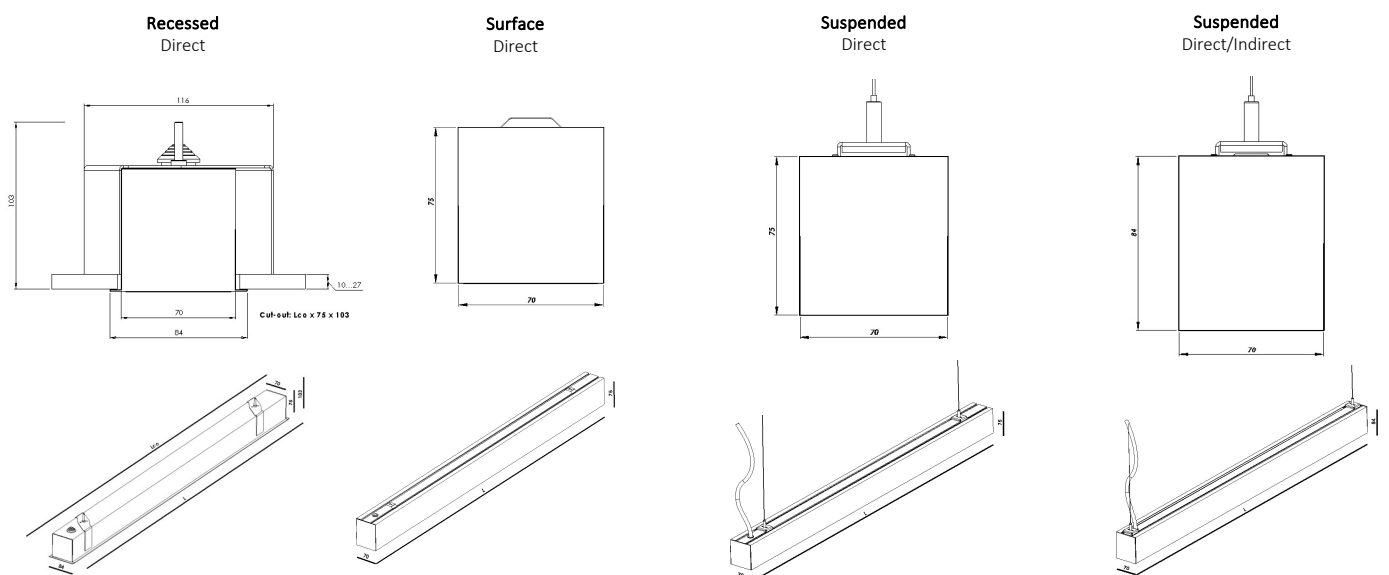
FEATURES

- Extruded aluminium profile body – width 70 mm
- Recessed, surface mounted or suspended
- Direct or direct/indirect light distribution
- Colour temperature options
- Efficacy up to 125 lm/W
- CRI80 or CRI90
- IP20 ingress protection
- Frosted opal or low-glare prismatic optic
- Nero and asymmetric optics available
- Standard and custom profile lengths
- Painted profile finish
- Compact integral driver, DALI dimming or Casambi controls
- Standard or DALI 3-hour emergency options
- Zero light spill with firm-fit end caps
- Plug-and-play wiring for quick installation
- Good serviceability with easy access to internal components
- 5 year warranty

SPECIFICATION

Colour Temperature CCT	2700K 3000K 3500K 4000K 5000K TW
Installation	Recessed Surface Suspended
Distribution	Direct Direct/Indirect
Diffuser/Optic	Opal MPO Nero Asymmetric
Efficacy	Up to 125 lm/W
CRI	80 90
Controls	Fixed Output DALI Casambi
Finish	White Black Anodised
Dimensions	W 70 mm x H 75 mm – Variants Below
Standard Lengths	Standard and Custom Lengths
Power	27W - 136W
Mains Voltage	220-240V 50/60 Hz
Material	Aluminium
Ingress Protection	IP20
Operating Temperature	-25°C ~45°C
Conformity	No UV or IR Emissions, UKCA
Lifetime	100,000hrs L80 B20
Emergency Options	Standard Dali
Weight Per Meter	1.9 kg - 6 kg p/m
Warranty	5 Years
Notes	*Custom lengths available on request, LED light source, power and lumen efficiency may vary.

DIMENSIONS



STANDARD LENGTHS – HIGH OUTPUT

LENGTH	INSTALLATION	DISTRIBUTION	POWER	CCT	CRI	LUMENS-OPAL	LUMENS-MPO	WEIGHT
860 mm	Recessed	Direct	27W	4000K	90	2426	2415	2.3
1140 mm	Recessed	Direct	35W	4000K	90	3234	3219	3
1420 mm	Recessed	Direct	44W	4000K	90	4042	4024	3.6
1700 mm	Recessed	Direct	53W	4000K	90	4851	4829	4.3
2260 mm	Recessed	Direct	70W	4000K	90	6467	6438	5.5
846 mm	Surface	Direct	27W	4000K	90	2426	2415	2.4
1266 mm	Surface	Direct	40W	4000K	90	3638	3622	3.3
1546 mm	Surface	Direct	48W	4000K	90	4446	4426	4
2246 mm	Surface	Direct	70W	4000K	90	6467	6438	5.6
846 mm	Suspended	Direct	27W	4000K	90	2426	2415	2.8
1266 mm	Suspended	Direct	40W	4000K	90	3638	3622	3.8
1546 mm	Suspended	Direct	48W	4000K	90	4446	4426	4.4
2246 mm	Suspended	Direct	70W	4000K	90	6467	6438	6.1
846 mm	Suspended	Direct/Indirect	48W	4000K	90	4927	4847	3
1266 mm	Suspended	Direct/Indirect	75W	4000K	90	7614	7491	4.1
1546 mm	Suspended	Direct/Indirect	92W	4000K	90	9406	9253	4.8
2246 mm	Suspended	Direct/Indirect	136W	4000K	90	13885	13659	6.6



STANDARD LENGTHS – HIGH EFFICIENCY

LENGTH	INSTALLATION	DISTRIBUTION	POWER	CCT	CRI	LUMENS-OPAL	LUMENS-MPO	WEIGHT
860 mm	Recessed	Direct	19W	4000K	90	1824	1816	2.3
1140 mm	Recessed	Direct	25W	4000K	90	2432	2421	3
1420 mm	Recessed	Direct	32W	4000K	90	3029	3026	3.6
1700 mm	Recessed	Direct	38W	4000K	90	3647	3631	4.3
2260 mm	Recessed	Direct	50W	4000K	90	4863	4841	5.5
846 mm	Surface	Direct	19W	4000K	90	1824	1816	2.4
1266 mm	Surface	Direct	28W	4000K	90	2736	2723	3.3
1546 mm	Surface	Direct	35W	4000K	90	3343	3328	4
2246 mm	Surface	Direct	50W	4000K	90	4863	4841	5.6
846 mm	Suspended	Direct	19W	4000K	90	1824	1816	2.8
1266 mm	Suspended	Direct	28W	4000K	90	2736	2723	3.8
1546 mm	Suspended	Direct	35W	4000K	90	3343	3328	4.4
2246 mm	Suspended	Direct	50W	4000K	90	4863	4841	6.1
846 mm	Suspended	Direct/Indirect	35W	4000K	90	3705	3644	3
1266 mm	Suspended	Direct/Indirect	53W	4000K	90	5725	5632	4.1
1546 mm	Suspended	Direct/Indirect	66W	4000K	90	7072	6957	4.8
2246 mm	Suspended	Direct/Indirect	97W	4000K	90	10440	10270	6.6



PRODUCT ORDER CODE

EXAMPLE: ILO70-SPDIO3OAF1000

PREFIX	INSTALLATION	DISTRIBUTION	OUTPUT	CCT
ILO70 -	R recessed	D direct	E high efficiency	27 2700K
	S surface	DI direct/indirect	O high output	3 3000K
	SP suspended	I indirect		35 3500K
				4 4000K
				5 5000K
			TW tunable white	

DIFFUSER/OPTIC	FINISH	DRIVER	EMERGENCY	LENGTH
O frosted opal	A anodised aluminium	F fixed output	SE standard emergency	1000 1000 mm
P MPO	W white RAL 9016	D DALI	DE DALI emergency	2005 2005 mm
N nero	B black RAL 9005	C casambi		3010 3005 mm
A asymmetric	RAL custom RAL colour			--- custom length*

