

## NEONFLEX – 1615 RGBW

NEONFLEX is a flexible LED linear strip that provides perfect uniform RGBW illumination, making it an ideal solution for both interior and exterior applications.

Manufactured with a full polyurethane coating ensuring an IP68 protection rating, making it resistant to UV radiation, solvents, and even immersion in saltwater. It offers a vertical bending radius of 300mm and has a cross-section size of 16mm x 15mm.

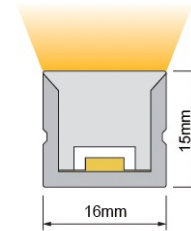
### FEATURES

- Vertical bending radius
- Standard and custom lengths
- RGBW
- Robust material
- IP68 ingress protection
- IK08 impact rating
- Resistant to salt-water solutions, acid, alkali, corrosive gases, heat, fire and UV
- No yellowing, breaking and dust-free
- Side, top and bottom cable entry connectors
- Dedicated components
- Compact driver, DMX or DALI controls
- Plug-and-play wiring for quick installation
- 3-5 year warranty

## SPECIFICATION

<b>Colour Temperature CCT</b>	RGBW (2700K, 3000K, 4000K,6500K)
<b>Installation</b>	Surface
<b>Power</b>	15W/m
<b>Luminous Flux</b>	Up to 562 lm/m @4000K
<b>CRI</b>	90
<b>Controls</b>	Fixed Output   1-10V   DALI   DMX
<b>Finish</b>	White
<b>Dimensions</b>	W 16 mm x H 15 mm
<b>Max. Run Length</b>	50000 mm
<b>Cut Length</b>	71.4 mm
<b>Operating Voltage</b>	DC 24V
<b>Material</b>	PU/Polyurethane
<b>Ingress Protection</b>	IP68
<b>Bending Radius</b>	300 mm Vertical
<b>Cable Entry</b>	Front   Side   Bottom
<b>Max. LED Pin Temperature</b>	65°C
<b>Lifetime</b>	30,000hrs L80
<b>Operating Temperature</b>	-25°C ~60°C
<b>Conformity</b>	No UV or IR Emissions, UKCA, RoHS
<b>Warranty</b>	Interior use 3 years, exterior use 5 years
<b>Notes</b>	*Custom lengths available on request, LED light source and lumen efficiency may vary.

## DIMENSIONS



## CABLE ENTRY

FRONT



SIDE



BOTTOM



PRODUCT ORDER CODE

EXAMPLE: NF1615-RGBW3FS1000

PREFIX	CCT	DRIVER	CABLE ENTRY	LENGTH
<b>NF1615 -</b>	<b>RGBW27</b> RGB – W 2700K	<b>F</b> fixed output IP67	<b>T</b> top	<b>1000</b> 1000 mm
	<b>RGBW3</b> RGB – W 3000K	<b>10</b> 1-10V DC IP67	<b>S</b> side	<b>2000</b> 2000 mm
	<b>RGBW4</b> RGB – W 4000K	<b>D</b> DALI IP67	<b>B</b> bottom	<b>3000</b> 3000 mm
	<b>RGBW65</b> RGB – W 6500K	<b>DMX</b> DMX		<b>4000</b> 4000 mm
				<b>5000</b> 5000 mm
				--- custom length*

## COMPONENTS



**AC**  
aluminium channel  
L 1000 mm  
W 18.6 mm  
H 17.8 mm



**PC**  
PC channel  
L 1000 mm  
W 19.5 mm  
H 17.8 mm



**SC**  
aluminium channel  
L 15 mm  
W 18.2 mm  
H 10.1 mm

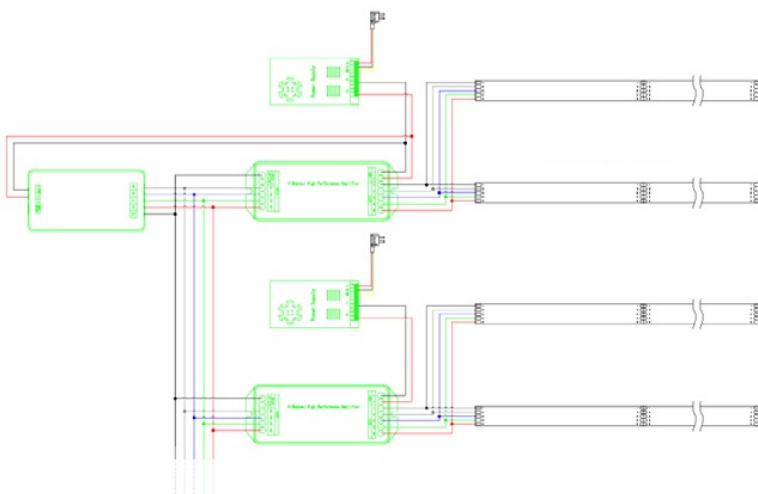


**RC**  
replacement cable  
L 1000 mm



**C**  
rgbw controller

## WIRING DIAGRAM



- Maximum single run length depends on the wattage of power supply and LED Strip.

- 15W/M - 5M Max. single run length; the strip is 5m/reel at most.