

ALTAN – RECESSED DOWNLIGHT

The ALTAN is a high-performance surface mounted luminaire with a Ø200 mm diameter and deep design. It seamlessly integrates into any space and provides efficient lighting in 3000K and 4000K variants.



FEATURES

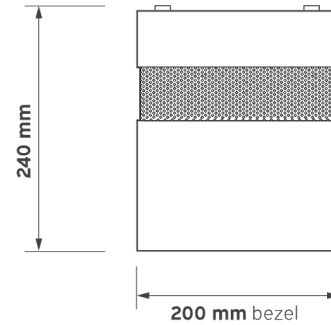
- Ø200 mm
- Surface mounted
- 3000K and 4000K
- Efficacy up to 91 lm/W
- 60° sating reflector as standard
- Alternative reflector options available
- CRI80
- UGR <19
- Robust aluminium material
- Compact driver
- DALI dimming options
- Plug-and-play wiring for quick installation
- IP20 ingress protection
- 5 year warranty



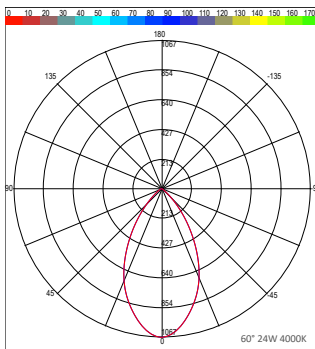
SPECIFICATION

Colour Temperature CCT	3000K 4000K
Power	14W 24W 34W 46W
Luminous Flux	1200 - 3800 lm
Efficacy	up to 91 lm/W
CRI	80
Controls	Fixed Output DALI 1-10V
Beam Angle	60° Standard 40° 50°
UGR	<19
Finish	White Grey Black RAL
Dimensions	Ø200 mm x H 240 mm
Operating Voltage	220-240V 50-60Hz
Material	Aluminium
Installation	Surface
Ingress Protection	IP20
Lifetime	50,000hrs
Weight	3 kg
Operating Temperature	-25°C ~35°C
Conformity	No UV or IR Emissions, UKCA
Warranty	5 Years

DIMENSIONS



PHOTOMETRY



PRODUCT ORDER CODE

EXAMPLE: ALTAN-S14360WD

PREFIX	INSTALLATION	POWER	CCT	BEAM ANGLE	FINISH	DRIVER	EMERGENCY
ALTAN -	S surface	14 14W	3 3000K	60 60° satin	W white	F fixed output	SE standard emergency
		24 24W	4 4000K	40 40° specular	B black	D DALI	DE DALI emergency
		34 34W		50 50° multifaceted	G grey	10 1-10V	
		46 46W			RAL custom RAL	C casambi	