

## PIKO-O – MICRO LINEAR

The PIKO is a decorative luminaire featuring a round cross-section, providing a clean line of illumination. It comes with dedicated mounting fixtures for suspension via rod or wire, allowing for creative custom installations. With its contemporary design, it's well-suited for architectural, residential, and office applications.

### FEATURES

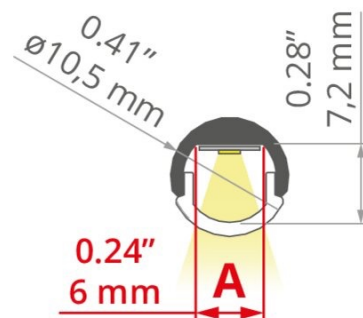
- Ø10.5 mm
- 140° light distribution
- Standard and custom lengths
- Direct lighting distribution
- 3000K, 4000K, tunable white, dim to warm and RGBW
- High lumen efficacy up to 130 lm/W
- CRI90+
- Low-glare polycarbonate diffuser
- Dedicated custom components
- Extruded aluminium channel
- Custom bending of the extrusion
- Compact driver
- DALI dimming and Casambi controls
- Plug-and-play wiring for quick installation
- IP20 as standard
- 7 year warranty



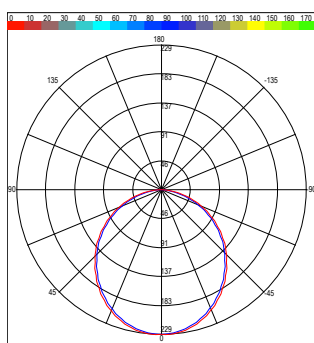
## SPECIFICATION

Colour Temperature CCT	3000K   4000K   TW   D2W   RGBW
Installation	Suspended   Surface
Distribution	Direct
Diffuser	Opal
Efficacy	Up to 130 lm/W
CRI	90
Controls	Fixed Output   DALI   Casambi
Finish	Anodised   Black   White
Dimensions	Ø10.5 mm
Standard Lengths	1000 mm   2005 mm   3010 mm   Custom
Operating Voltage	24V
LED Light Source Power	4.8W - 24W
Material	Aluminium
LED Light Source	Max. W 6 mm
Bending Radius - Inside	150 mm
Bending Radius - Outward	100 mm
Ingress Protection	IP20
Lifetime	50,000hrs
Operating Temperature	-25°C ~45°C
Conformity	No UV or IR Emissions, UKCA
Warranty	7 Years
Notes	*Custom lengths available on request, LED light source and lumen efficiency may vary.

## DIMENSIONS



## PHOTOMETRY



Opal Diffuser

PRODUCT ORDER CODE

EXAMPLE: PIKO-O-SP3OAF1000

PREFIX	INSTALLATION	CCT	DIFFUSER	FINISH	DRIVER	LENGTH
PIKO-O-	<b>SP</b> suspended	<b>3</b> 3000K	<b>O</b> frosted opal	<b>A</b> anodised aluminium	<b>F</b> fixed output	<b>1000</b> 1000 mm
	<b>S</b> surface	<b>4</b> 4000K		<b>B</b> black	<b>D</b> DALI	2005 2005 mm
		<b>TW</b> tunable white		<b>W</b> white	<b>C</b> casambi	3010 3010 mm
		<b>D2W</b> dim2warm				--- custom length*
		<b>RGBW</b> red/green/blue/white				

COMPONENTS



**O**  
opal diffuser



**A**  
anodised finish



**B**  
black



**W**  
white



**EC**  
closed end cap



**S**  
surface mounting clip



**SP**  
suspension end rod



**SP**  
suspension clip wire/rod

