



OREO – SUSPENDED PENDANT

OREO is a powerful and elegant circular luminaire. Its design features a circular die-cast aluminium form with a black or white finish that fits harmoniously into the surrounding architecture.

The glare-free microprismatic optic ensures optimal working light with high visual comfort - UGR19.

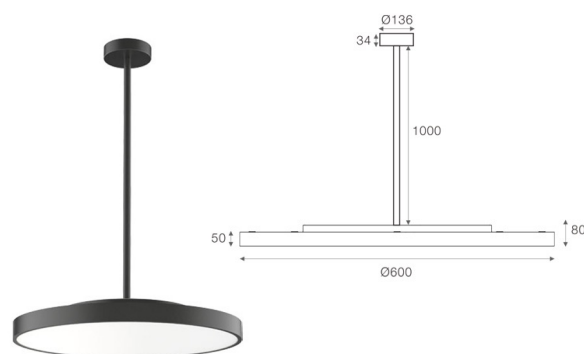
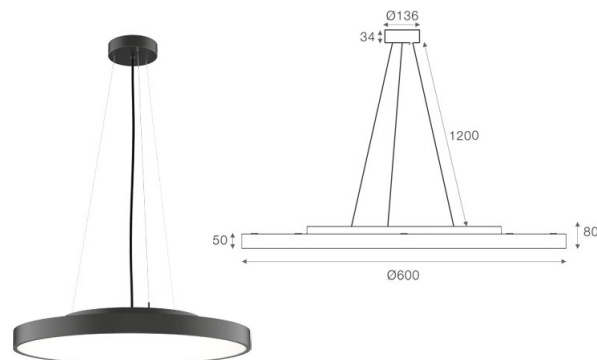
FEATURES

- Ø600 mm
- Efficacy up to 128 lm/W
- Direct and indirect light distribution
- Glare-free diffuser for consistent illumination
- UGR>19
- Suspended via rod or wire
- CRI80
- Compact driver
- DALI dimming options
- High quality aluminium body
- Black, white finish
- Plug-and-play wiring for quick installation
- IP40 as standard
- 5 year warranty

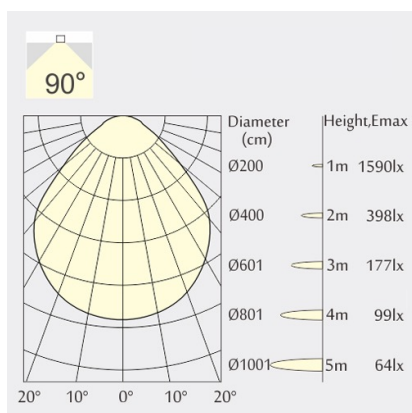
SPECIFICATION

Colour Temperature CCT	2700K 3000K 4000K
Power	26W 40W 50W (+ 20W with indirect)
Luminous Flux	Up to 6400 lm @4k 50W
Efficacy	Up to 128 lm/W
CRI	80
Controls	Fixed Output DALI
Diffuser	Microprismatic
UGR	>19
MacAdam Ellipse	3
Distribution	Direct Direct/Indirect
Beam Angle	90° direct / 110° indirect
Finish - Outside	Black RAL9005 White RAL 9016
Finish - Inside	Black White Gold
Dimensions	Ø600 mm x H 50 mm
Operating Voltage	34V 700mA 1050mA 1400mA
Material	Aluminium
Installation	Suspension Wire Suspension Rod
Ingress Protection	IP40
Lifetime	50,000hrs L80B10
Operating Temperature	-25°C ~35°C
Weight	7.9 kg (wire) 8.2 kg (rod)
Conformity	No UV or IR Emissions, UKCA
Warranty	5 Years

DIMENSIONS



PHOTOMETRY



26W 4000K Ø600 mm

PRODUCT ORDER CODE

EXAMPLE: OREO600-SPD1427OWWF

PREFIX	INSTALLATION	DISTRIBUTION	POWER	CCT	OPTIC	FINISH/OUTSIDE	FINISH/INSIDE	DRIVERCONTROLS
OREPO600 -	SP suspended wire 1200mm	D direct	26 26W	27 2700K	O opal	W white	W white	F fixed output
	SP1 suspended rod 1000mm	DI direct/indirect	40 40W	3 3000K		B black	B black	
			50 50W	4 4000K			g gold	

