



CANDY – SUSPENDED PENDANT

CANDY is a powerful and elegant suspended luminaire. Its design features a circular die-cast aluminium form with a black or white finish that fits harmoniously into the surrounding architecture.

The glare-free optic is slightly offset by the internal reflector ring, which can also be finished in black, white or gold.

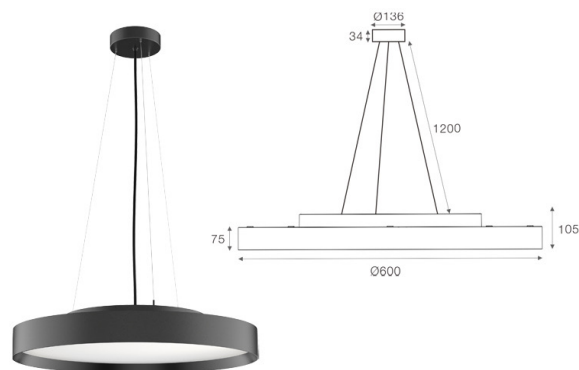
FEATURES

- Ø600 mm
- Efficacy up to 118 lm/W
- Direct and indirect light distribution
- Opal diffuser for consistent illumination
- UGR>19
- Suspended via rod or wire
- CRI80
- Compact driver
- DALI dimming options
- High quality aluminium body
- Black, white finish
- Plug-and-play wiring for quick installation
- IP40 as standard
- 5 year warranty

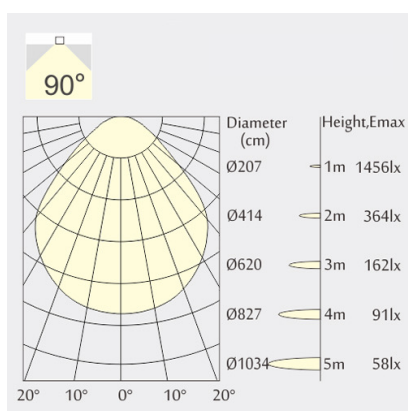
SPECIFICATION

Colour Temperature CCT	2700K 3000K 4000K
Power	25W 42W 54W (+ 20W with indirect)
Luminous Flux	Up to 6400 lm @4k 54W
Efficacy	Up to 118 lm/W
CRI	80
Controls	Fixed Output DALI
Diffuser	Opal
UGR	>19
MacAdam Ellipse	3
Distribution	Direct Direct/Indirect
Beam Angle	90° direct / 110° indirect
Finish - Outside	Black RAL9005 White RAL 9016
Finish - Inside	Black White Gold
Dimensions	Ø600 mm x H 105 mm
Operating Voltage	36V 700mA 1050mA 1400mA
Material	Aluminium
Installation	Suspension Wire Suspension Rod
Ingress Protection	IP40
Lifetime	50,000hrs L80B10
Operating Temperature	-25°C ~35°C
Weight	9.8 kg (wire) 10.1 kg (rod)
Conformity	No UV or IR Emissions, UKCA
Warranty	5 Years

DIMENSIONS



PHOTOMETRY



24W 4000K Ø600 mm

PRODUCT ORDER CODE

EXAMPLE: CANDY600-SPD253OBBF

PREFIX	INSTALLATION	DISTRIBUTION	POWER	CCT	OPTIC	FINISH/OUTSIDE	FINISH/INSIDE	DRIVERCONTROLS
CANDY600 -	SP suspended wire 1200mm	D direct	25 25W	27 2700K	O opal	W white	W white	F fixed output
	SP1 suspended rod 1000mm	DI direct/indirect	42 42W	3 3000K		B black	B black	D DALI
				4 4000K				

