

CANDY – SUSPENDED PENDANT

CANDY is a powerful and elegant suspended luminaire. Its design features a circular die-cast aluminium form with a black or white finish that fits harmoniously into the surrounding architecture.

The glare-free microprismatic optic is slightly offset by the internal reflector ring, which can also be finished in black, white or gold.

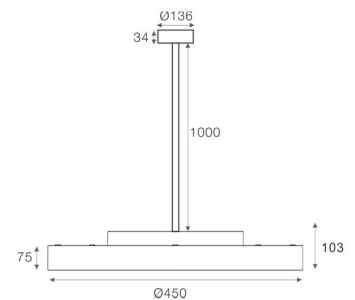
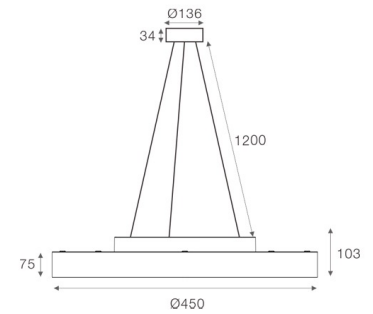
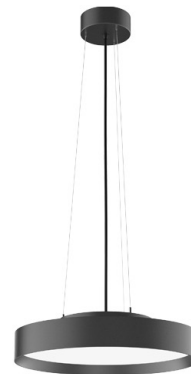
FEATURES

- Ø450 mm
- Efficacy up to 120 lm/W
- Direct and indirect light distribution
- Opal diffuser for consistent illumination
- UGR>19
- Suspended via rod or wire
- CRI80
- Compact driver
- DALI dimming options
- High quality aluminium body
- Black, white finish
- Plug-and-play wiring for quick installation
- IP40 as standard
- 5 year warranty

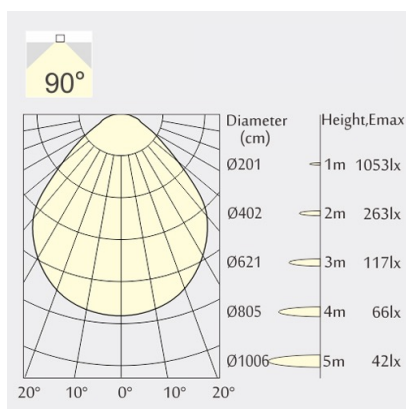
SPECIFICATION

Colour Temperature CCT	2700K 3000K 4000K
Power	20W 28W (+ 13W with indirect)
Luminous Flux	Up to 3000 lm @4k 28W
Efficacy	Up to 120 lm/W
CRI	80
Controls	Fixed Output DALI
Diffuser	Opal
UGR	>19
MacAdam Ellipse	3
Distribution	Direct Direct/Indirect
Beam Angle	90° direct / 110° indirect
Finish - Outside	Black RAL9005 White RAL 9016
Finish - Inside	Black White Gold
Dimensions	Ø450 mm x H 103 mm
Operating Voltage	36V 500mA 700mA
Material	Aluminium
Installation	Suspension Wire Suspension Rod
Ingress Protection	IP40
Lifetime	50,000hrs L80B10
Operating Temperature	-25°C ~35°C
Weight	5.1 kg (wire) 5.6 kg (rod)
Conformity	No UV or IR Emissions, UKCA
Warranty	5 Years

DIMENSIONS



PHOTOMETRY



20W 4000K Ø450 mm

PRODUCT ORDER CODE

EXAMPLE: CANDY450-SPD203OBBF

PREFIX	INSTALLATION	DISTRIBUTION	POWER	CCT	OPTIC	FINISH/OUTSIDE	FINISH/INSIDE	DRIVERCONTROLS
CANDY450 -	SP suspended wire 1200mm	D direct	20 20W	27 2700K	O opal	W white	W white	F fixed output
	SP1 suspended rod 1000mm	DI direct/indirect	28 28W	3 3000K		B black	B black	D DALI
				4 4000K				

