

## CANDY – SUSPENDED PENDANT

CANDY is a powerful and elegant suspended luminaire. Its design features a circular die-cast aluminium form with a black or white finish that fits harmoniously into the surrounding architecture.

The glare-free optic is slightly offset by the internal reflector ring, which can also be finished in black, white or gold.

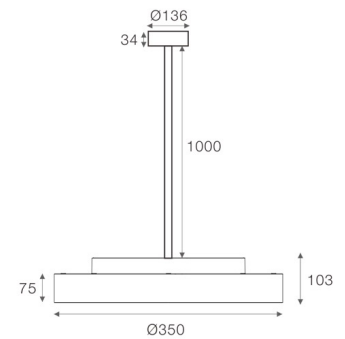
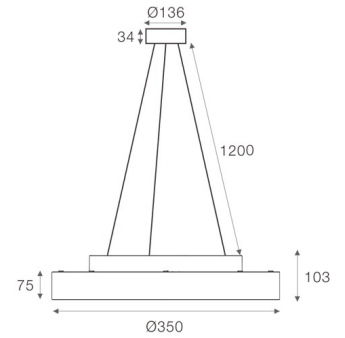
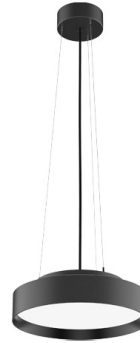
### FEATURES

- Ø350 mm
- Efficacy up to 110 lm/W
- Direct and indirect light distribution
- Opal diffuser for consistent illumination
- UGR>19
- Suspended via rod or wire
- CRI80
- Compact driver
- DALI dimming options
- High quality aluminium body
- Black, white finish
- Plug-and-play wiring for quick installation
- IP40 as standard
- 5 year warranty

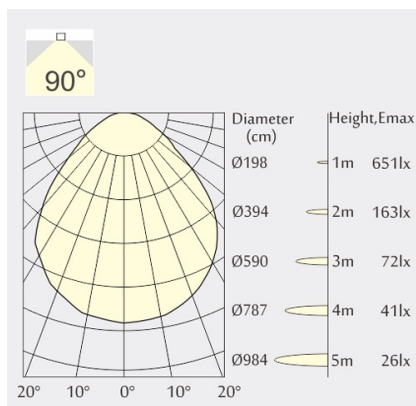
## SPECIFICATION

Colour Temperature CCT	2700K   3000K   4000K
Power	14 W   18W (+ 10W with indirect)
Luminous Flux	Up to 2200 lm @4k 18W
Efficacy	Up to 110 lm/W
CRI	80
Controls	Fixed Output   DALI
Diffuser	Opal
UGR	>19
MacAdam Ellipse	3
Distribution	Direct   Direct/Indirect
Beam Angle	90° direct / 110° indirect
Finish - Outside	Black RAL9005   White RAL 9016
Finish - Inside	Black   White   Gold
Dimensions	Ø350 mm x H 103 mm
Operating Voltage	36V 350mA   500mA
Material	Aluminium
Installation	Suspension Wire   Suspension Rod
Ingress Protection	IP40
Lifetime	50,000hrs L80B10
Operating Temperature	-25°C ~35°C
Weight	3.7 kg (wire) 4.9 kg (rod)
Conformity	No UV or IR Emissions, UKCA
Warranty	5 Years

## DIMENSIONS



## PHOTOMETRY



14W 2700K Ø350 mm

PRODUCT ORDER CODE

EXAMPLE: CANDY350-SPD1427OWWF

PREFIX	INSTALLATION	DISTRIBUTION	POWER	CCT	OPTIC	FINISH/OUTSIDE	FINISH/INSIDE	DRIVERCONTROLS
CANDY350 -	<b>SP</b> suspended wire 1200mm	<b>D</b> direct	<b>14</b> 14W	<b>27</b> 2700K	<b>O</b> opal	<b>W</b> white	<b>W</b> white	<b>F</b> fixed output
	<b>SP1</b> suspended rod 1000mm	<b>DI</b> direct/indirect	<b>18</b> 18W	<b>3</b> 3000K		<b>B</b> black	<b>B</b> black	<b>D</b> DALI
				<b>4</b> 4000K				

