

## PIPIT– BOLLARD LUMINAIRE

Our PIPIT bollard luminaires create a delicate and enchanting addition to any exterior environment. Their soft glow illuminates the surrounding area, creating a warm and inviting ambience. Choose between small or larger fixture heads  $\text{\O}50$  mm or  $\text{\O}100$  mm.

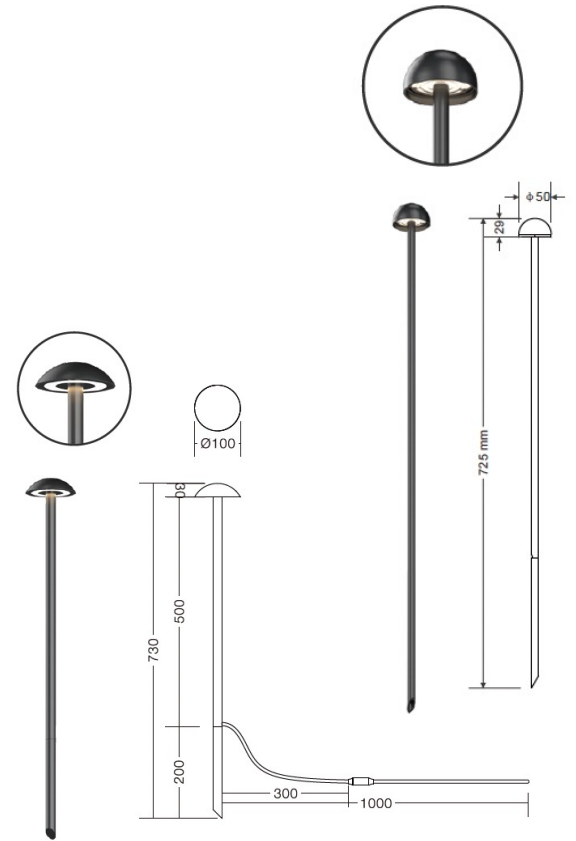
### FEATURES

- In-ground installation
- 3000K and 4000K
- Optimal low-glare technology
- CRI80+
- Robust aluminium material
- Triple-layer exterior coating in a black finish
- Compact driver
- DALI dimming options
- Plug-and-play wiring for quick installation
- Robust IP65 impact rating as standard
- 5 year warranty

## SPECIFICATION

Colour Temperature CCT	3000K   4000K
Power	2W
Luminous Flux	90 lm
Efficacy	Up to 45 lm/W
CRI	80   90
Controls	Fixed Output   DALI
Finish	Black
Type	50   100
Dimensions – 50	Ø50 mm x H 725 mm
Dimensions – 100	Ø100 mm x H 730 mm
Distribution	Direct
Light Source	LED
Material	Aluminium
Installation	In-ground
Ingress Protection	IP65
Lifetime	50,000hrs L80
Operating Temperature	-25°C ~35°C
Conformity	No UV or IR Emissions, UKCA
Warranty	5 Years

## DIMENSIONS



PRODUCT ORDER CODE

EXAMPLE: PIPIT50-G238BF

PREFIX	INSTALLATION	POWER	CCT	CRI	FINISH	DRIVER
<b>PIPIT 50 -</b>	<b>G</b> in-ground	<b>2</b> 2W	<b>3</b> 3000K	<b>8</b> CRI80	<b>B</b> black	<b>F</b> fixed output
<b>PIPIT 100 -</b>			<b>4</b> 4000K	<b>9</b> CRI90		<b>D</b> DALI