



MAX – MICRO LINEAR

MAX is a slimline linear luminaire designed for recessed in-ground installations, suitable for both indoor and outdoor use. Its sturdy extruded aluminium structure offers impressive IP68 and IK10 protection ratings, making it ideal for corrosive and high-impact environments.

FEATURES

- 30.5 mm x 27.2 mm in-ground design
- Standard and custom lengths
- 3000K, 4000K, tunable white, dim to warm and RGBW
- Low-glare frosted polycarbonate diffuser
- Dedicated custom components
- Smooth transition from an in-ground into a facade lighting fixture
- Extruded anodized aluminium channel
- Compact driver
- DALI dimming and Casambi controls
- Plug-and-play wiring for quick installation
- IP65 as standard
- Robust IK10 impact rating
- 7 year warranty

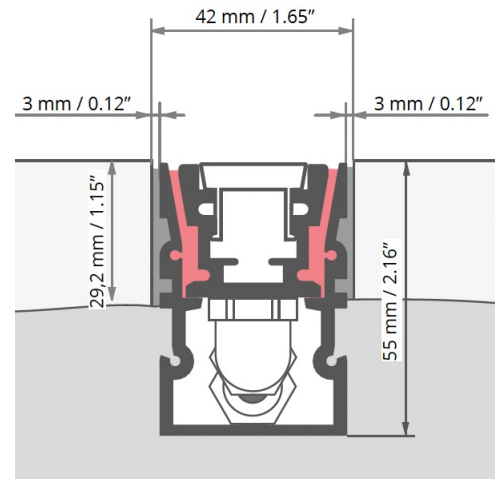
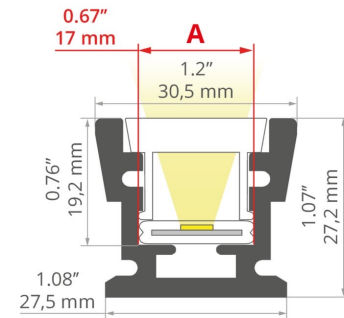


KLUS Inspiring Solutions

SPECIFICATION

Colour Temperature CCT	3000K 4000K TW D2W RGBW
Installation	Recessed
Distribution	Direct
Diffuser	Opal
Efficacy	Up to 130 lm/W
CRI	90
Controls	Fixed Output DALI Casambi
Finish	Anodised
Dimensions	W 30.5 mm x H 27.2 mm
Standard Lengths	1005 mm 2005 mm Custom
Operating Voltage	24V
LED Light Source Power	4.8W - 24W
Material	Aluminium
LED Light Source	Max. W 11.2 mm
Ingress Protection	IP68
Impact Rating	IK10
Lifetime	50,000hrs
Operating Temperature	-25°C ~45°C
Conformity	No UV or IR Emissions, UKCA
Warranty	7 Years
Notes	*Custom lengths available on request, LED light source and lumen efficiency may vary.

DIMENSIONS



PRODUCT ORDER CODE

EXAMPLE: MAX-R4OAF2005

PREFIX	INSTALLATION	CCT	DIFFUSER	FINISH	DRIVER	LENGTH	
MAX -	R recessed	3 3000K	O frosted opal	A anodised aluminium	F fixed output	1000 1000 mm	
		4 4000K				D DALI	2005 2005 mm
		TW tunable white				C casambi	--- custom length*
		D2W dim2warm					
		RGBW red/green/blue/white					

COMPONENTS



O
opal diffuser



A
anodised finish



EC
closed end cap



HR-MAX-T
mounting track



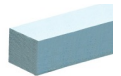
HR-MAX-TW
mounting track



WC
waterproof coupler



WS
waterproof splitter



HR-MAX-PAD
pad mount

