



## LUCA – LINEAR

LUCA, our streamlined linear luminaire, is an optimal choice for contemporary interiors. Offering both direct and indirect illumination, high-lumen LEDs, and an opal optic to reduce glare.

### FEATURES

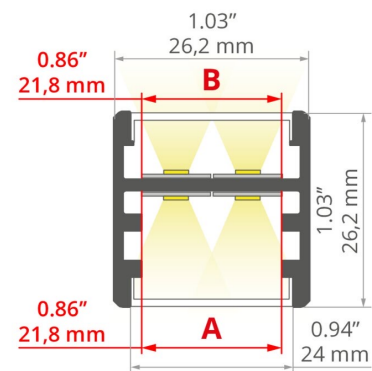
- Surface and suspended
- Dedicated single or duo suspension accessory kit
- Direct or direct/indirect light distribution
- 3000K, 4000K, tunable white, dim to warm and RGBW
- High lumen efficacy up to 130 lm/W
- CRI90
- Low-glare polycarbonate diffuser
- A comprehensive range of mounting options
- Extruded aluminium channel
- Anodised or painted profile finish
- Compact driver
- DALI dimming and Casambi controls
- Plug-and-play wiring for quick installation
- IP20 as standard, IP67 on Request
- 7 year warranty



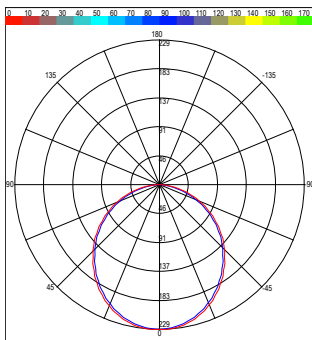
## SPECIFICATION

Colour Temperature CCT	3000K   4000K   TW   D2W   RGBW
Installation	Surface   Suspended
Distribution	Direct
Diffuser	Opal   Clear
Efficacy	Up to 130 lm/W
CRI	90
Controls	Fixed Output   DALI   Casambi
Finish	White   Black   Anodised
Dimensions	W 26.2 mm x H 26.2 mm
Standard Lengths	1000 mm   2005 mm   3010 mm   Custom
Operating Voltage	24V
LED Light Source Power	4.8W - 24W
Material	Aluminium
LED Light Source	Max. W 11.2 mm x 2
Ingress Protection	IP20
Lifetime	50,000hrs
Operating Temperature	-25°C ~45°C
Conformity	No UV or IR Emissions, UKCA
Warranty	7 Years
Notes	*Custom lengths available on request, LED light source and lumen efficiency may vary.

## DIMENSIONS



## PHOTOMETRY



Opal Diffuser

PRODUCT ORDER CODE

EXAMPLE: LUCA-SDI4OAF100

PREFIX	INSTALLATION	DISTRIBUTION	CCT	DIFFUSER	FINISH	DRIVER	LENGTH
LUCA -	<b>S</b> surface	<b>D</b> direct	<b>3</b> 3000K	<b>O</b> frosted opal	<b>A</b> anodised aluminium	<b>F</b> fixed output	<b>1000</b> 1000 mm
	<b>SP</b> suspended	<b>DI</b> direct/indirect	<b>4</b> 4000K	<b>C</b> clear	<b>W</b> white RAL 9016	<b>D</b> DALI	2005
			<b>TW</b> tunable white				2005 mm
			<b>D2W</b> dim2warm				3010
<b>RGBW</b> red/green/blue/white		<b>C</b> casambi	3005 mm				
					<b>RAL</b> custom RAL colour		--- custom length*

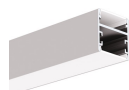
COMPONENTS



**O**  
opal diffuser



**C**  
clear



**A**  
anodised finish



**EC**  
closed end cap



**OS22-LIN**  
black finish  
white finish



**OS22-DUO-LIN**  
black finish  
white finish

