



## LIORA – LINEAR

LIORA is our sleek linear luminaire offering bi-directional side-emitting illumination, specifically designed for contemporary interiors. It seamlessly combines into closed geometric shapes, including linear twists, polygonal configurations, and rounds, with a minimum radius of 240 mm.

### FEATURES

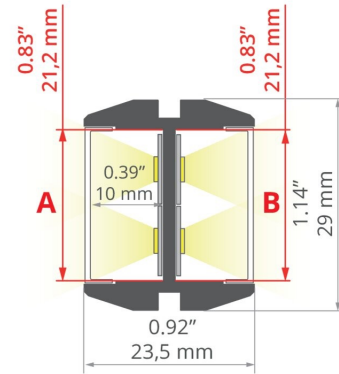
- Streamline linear or curved luminaire
- Bi-directional light distribution
- Dedicated single or duo suspension accessory kit
- Bending radius of 240 mm
- 3000K, 4000K, tunable white, dim to warm and RGBW
- High lumen efficacy up to 130 lm/W
- CRI90
- Low-glare polycarbonate diffuser
- Extruded aluminium channel
- Anodised profile finish
- Compact driver
- DALI dimming and Casambi controls
- Plug-and-play wiring for quick installation
- IP20 as standard
- 7 year warranty



## SPECIFICATION

Colour Temperature CCT	3000K   4000K   TW   D2W   RGBW
Installation	Suspended
Distribution	Direct
Diffuser	Opal   Clear
Efficacy	Up to 130 lm/W
CRI	90
Controls	Fixed Output   DALI   Casambi
Finish	Anodised
Dimensions	W 23.5 mm x H 29 mm
Standard Lengths	1000 mm   2005 mm   3010 mm   Custom
Operating Voltage	24V
LED Light Source Power	4.8W - 24W
Material	Aluminium
LED Light Source	Max. W 20 mm
Bending Possibility	Yes – linear twist/polygonal/round
Arc Radius	240 mm
Ingress Protection	IP20
Lifetime	50,000hrs
Operating Temperature	-25°C ~45°C
Conformity	No UV or IR Emissions, UKCA
Warranty	7 Years
Notes	*Custom lengths available on request, LED light source and lumen efficiency may vary.

## DIMENSIONS



## EXAMPLE SHAPES



PRODUCT ORDER CODE

EXAMPLE: LIORA-SP3OAF100

PREFIX	INSTALLATION	CCT	DIFFUSER	FINISH	DRIVER	LENGTH
<b>LIORA -</b>	<b>SP</b> suspended	<b>3</b> 3000K	<b>O</b> frosted opal	<b>A</b> anodised aluminium	<b>F</b> fixed output	<b>1000</b> 1000 mm
		<b>4</b> 4000K	<b>C</b> clear		<b>D</b> DALI	2005 2005 mm
		<b>TW</b> tunable white			<b>C</b> casambi	3010 3005 mm
		<b>D2W</b> dim2warm				--- custom length*
		<b>RGBW</b> red/green/blue/white				

COMPONENTS



**O**  
opal diffuser



**C**  
clear



**A**  
anodised finish



**EC**  
closed end cap



**P**  
masking plate  
aluminium



**PC**  
masking plate  
clear



**OS22-LIN**  
black finish  
white finish



**OS22-DUO-LIN**  
black finish  
white finish

