

## LARK– BOLLARD LUMINAIRE

Our LARK Bollard Luminaires bring a versatile and contemporary touch to any outdoor setting. With soft illumination, adjustable head design, and two height options, they create the perfect lighting for an inviting atmosphere.

### FEATURES

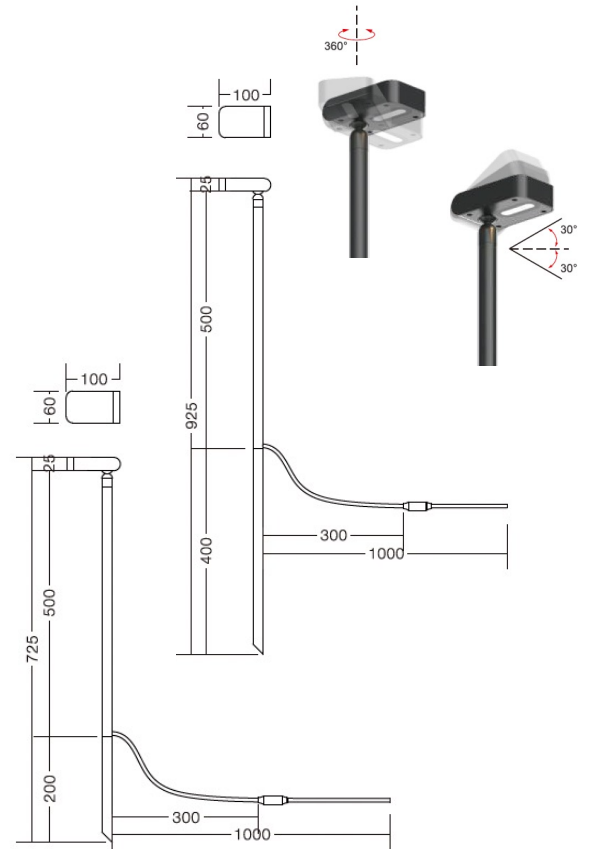
- In-ground installation
- 3000K and 4000K
- Optimal low-glare technology
- Adjustable tilt and rotation
- CRI80+
- Two height options
- Robust aluminium material
- Triple layer exterior coating in a black finish
- Compact driver
- DALI dimming options
- Plug-and-play wiring for quick installation
- Robust IP65 impact rating as standard
- 5 year warranty



## SPECIFICATION

Colour Temperature CCT	3000K   4000K
Power	3W
Luminous Flux	90 lm
Efficacy	Up to 30 lm/W
CRI	80   90
Controls	Fixed Output   DALI
Finish	Black
Dimensions	W 100 mm x L 60 mm
Height	H 725 mm   H 925 mm
Distribution	Direct
Adjustable Tilt	30°
Adjustable Rotation	360°
MacAdam Ellipse	3
Material	Aluminium
Installation	In-ground
Ingress Protection	IP65
Lifetime	50,000hrs L80
Operating Temperature	-25°C ~35°C
Conformity	No UV or IR Emissions, UKCA
Warranty	5 Years

## DIMENSIONS



PRODUCT ORDER CODE

EXAMPLE: LARK725-349BF

PREFIX	INSTALLATION	POWER	CCT	CRI	FINISH	DRIVER
LARK 725 -	G in-ground	3 3W	3 3000K	8 CRI80	B black	F fixed output
LARK 925 -			4 4000K	9 CRI90		D DALI