

JAZ 2 – TUBE LUMINAIRE

The JAZ 2 is a decorative linear luminaire showcasing a frosted diffuser that delivers smooth and gentle illumination, perfectly suited for architectural applications. Its inconspicuous 30 mm diameter and slender profile extrusion guarantee a minimalist appearance, while a variety of accessories provide versatility.

FEATURES

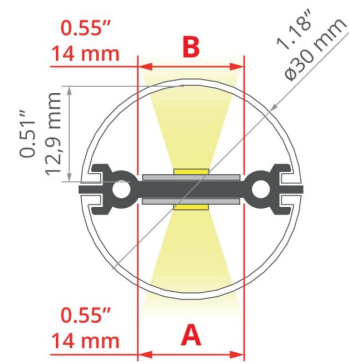
- Ø30
- Dedicated suspension accessory kits
- Direct or direct/indirect light distribution
- 3000K, 4000K, tunable white, dim to warm and RGBW
- High lumen efficacy up to 130 lm/W
- CRI90
- Low-glare polycarbonate diffuser
- Anodised or painted end caps
- Compact driver
- DALI dimming and Casambi controls
- Plug-and-play wiring for quick installation
- IP20 as standard, IP67 on Request
- 7 year warranty



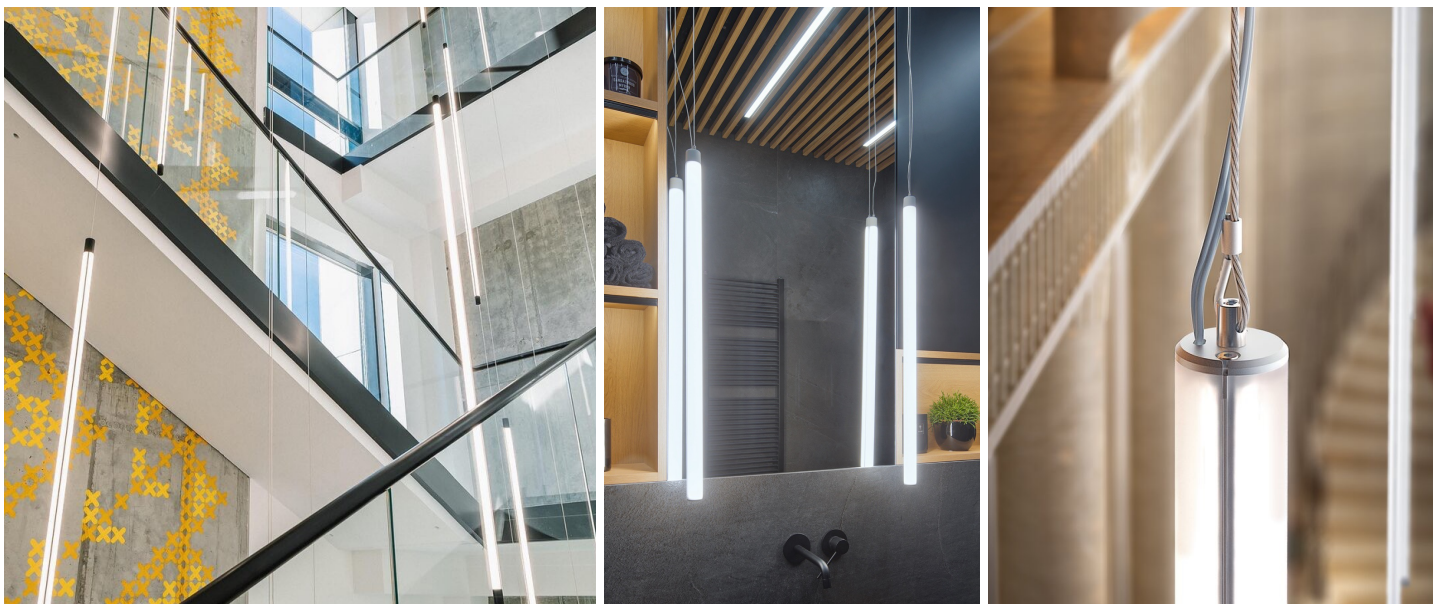
SPECIFICATION

Colour Temperature CCT	3000K 4000K TW D2W RGBW
Installation	Suspended
Distribution	Direct Direct/Indirect
Diffuser	Opal Clear
Efficacy	Up to 130 lm/W
CRI	90
Controls	Fixed Output DALI Casambi
Finish – End Cap	White Black Anodised
Dimensions	Ø30
Standard Lengths	1000 mm 2005 mm 3010 mm Custom
Operating Voltage	24V
LED Light Source Power	4.8W - 24W
Material	Aluminium/Polycarbonate
LED Light Source	Max. W 11.2 mm
Ingress Protection	IP20
Lifetime	50,000hrs
Operating Temperature	-25°C ~45°C
Conformity	No UV or IR Emissions, UKCA
Warranty	7 Years
Notes	*Custom lengths available on request, LED light source and lumen efficiency may vary.

DIMENSIONS



MOUNTING EXAMPLES



PRODUCT ORDER CODE

EXAMPLE: JAZZ-SPDI3OAF1000

PREFIX	INSTALLATION	DISTRIBUTION	CCT	DIFFUSER	FINISH-ENDCAP	DRIVER	LENGTH
JAZZ -	SP suspended	D direct	3 3000K	O frosted opal	A anodised aluminium	F fixed output	1000 1000 mm
		DI direct/indirect	4 4000K				2005 2005 mm
		TW tunable white	D2W dim2warm				3010 3005 mm
		RGBW red/green/blue/white	---				custom length*

COMPONENTS



O
opal diffuser



EC
closed end cap



ECW
closed wide end cap



ECR
closed end cap suspension



ECOR
open end cap suspension



ECR
closed end cap 2 x suspension



CANOPY
ceiling suspension

