



## I-LINE 8 – MICRO LINEAR

Our I-LINE range delivers sophisticated low-profile micro-linear luminaires, meticulously crafted to excel in discreet accent lighting applications. With a wealth of custom options, their versatile design seamlessly complements a wide array of interior settings, ensuring a tailored lighting solution for every space.

### FEATURES

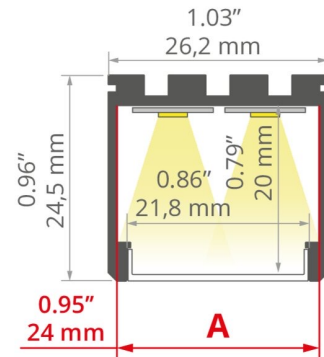
- 26.2 mm x 24.5 mm low-profile design
- Standard and custom lengths
- Direct lighting distribution
- 3000K, 4000K, tunable white, dim to warm and RGBW
- High lumen efficacy up to 130 lm/W
- CRI90+
- Low-glare polycarbonate diffuser
- Dedicated custom components
- A comprehensive range of mounting options
- Extruded aluminium channel
- Anodised or painted profile finish
- Compact driver
- DALI dimming and Casambi controls
- Plug-and-play wiring for quick installation
- IP20 as standard, IP65 on Request
- 7 year warranty



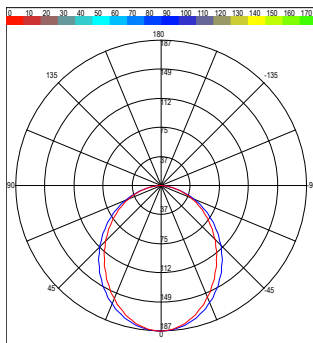
## SPECIFICATION

Colour Temperature CCT	3000K   4000K   TW   D2W   RGBW
Installation	Surface   Suspended   Recessed
Distribution	Direct
Diffuser	Opal   Clear
Efficacy	Up to 130 lm/W
CRI	90   95
Controls	Fixed Output   DALI   Casambi
Finish	White   Black   Anodised
Dimensions	W 26.2 mm x H 24.5 mm
Standard Lengths	1000 mm   2005 mm   3010 mm   Custom
Operating Voltage	24V
LED Light Source Power	4.8W - 24W
Material	Aluminium
LED Light Source	Max. W 8 mm x 2
Ingress Protection	IP20   IP65
Bending Possibility	Yes
Arc Radius	3000 mm
Lifetime	50,000hrs
Operating Temperature	-25°C ~45°C
Conformity	No UV or IR Emissions, UKCA
Warranty	7 Years
Notes	*Custom lengths available on request, LED light source and lumen efficiency may vary.

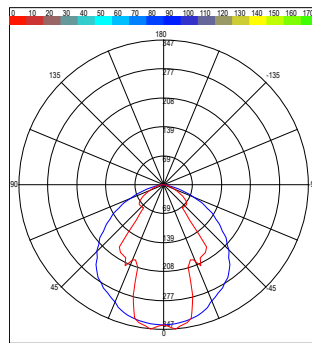
## DIMENSIONS



## PHOTOMETRY



Opal Diffuser



Clear Diffuser

PRODUCT ORDER CODE

EXAMPLE: I-LINE8-S4OAF2005

PREFIX	INSTALLATION	CCT	DIFFUSER	FINISH	DRIVER	LENGTH
<b>I-LINE8 -</b>	<b>S</b> surface	<b>3</b> 3000K	<b>O</b> frosted opal	<b>A</b> anodised aluminium	<b>F</b> fixed output	<b>1000</b> 1000 mm
	<b>SP</b> suspended	<b>4</b> 4000K	<b>C</b> clear	<b>W</b> white RAL 9016	<b>D</b> DALI	2005 2005 mm
	<b>R</b> recessed	<b>TW</b> tunable white	<b>D</b> drop-optic frosted opal	<b>B</b> black RAL 9005	<b>C</b> casambi	3010 3005 mm
		<b>D2W</b> dim2warm	<b>D1</b> drop-optic frosted opal	<b>RAL</b> custom RAL colour		--- custom length*
		<b>RGBW</b> red/green/blue/white				

COMPONENTS

