

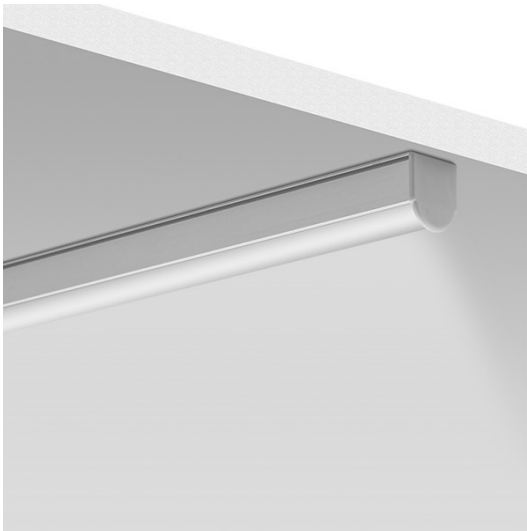


I-LINE 4 – MICRO LINEAR

Our I-LINE range delivers sophisticated low-profile micro-linear luminaires, meticulously crafted to excel in discreet accent lighting applications. With a wealth of custom options, their versatile design seamlessly complements a wide array of interior settings, ensuring a tailored lighting solution for every space.

FEATURES

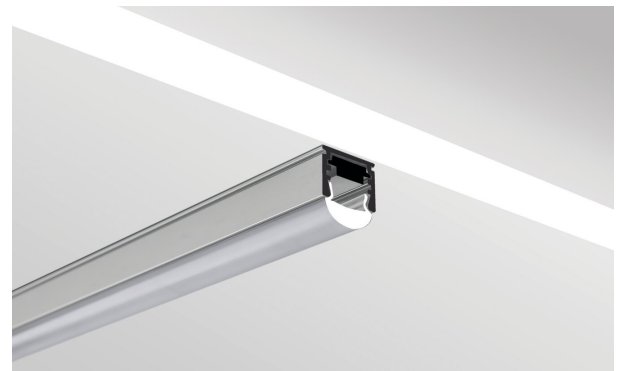
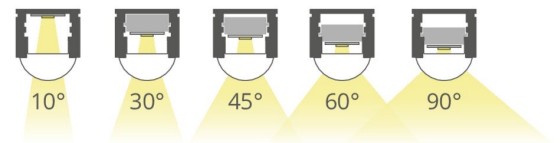
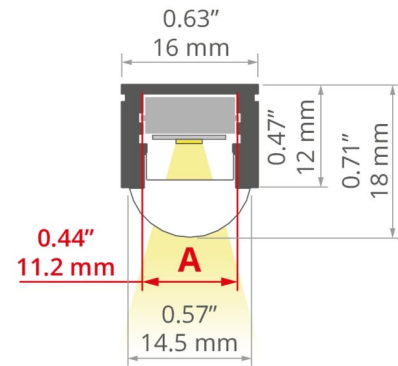
- 16 mm x 12 mm low-profile design
- Standard and custom lengths
- Adjustable beam angle
- 3000K, 4000K, tunable white, dim to warm and RGBW
- High lumen efficacy up to 130 lm/W
- CRI90+
- Low-glare polycarbonate diffuser
- Dedicated custom components
- A comprehensive range of mounting options
- Extruded aluminium channel
- Anodised profile finish
- Compact driver
- DALI dimming and Casambi controls
- Plug-and-play wiring for quick installation
- IP20 as standard, IP67 on Request
- 7 year warranty



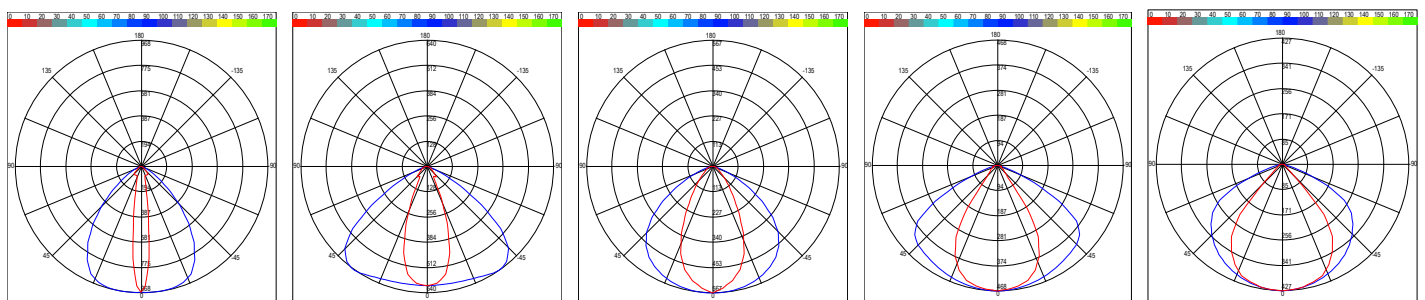
SPECIFICATION

Colour Temperature CCT	3000K 4000K TW D2W RGBW
Installation	Surface Suspended Recessed
Distribution	Direct
Beam Angle Adjustment	10° 30° 45° 60° 90°
Diffuser	Opal Clear
Efficacy	Up to 130 lm/W
CRI	90 95
Controls	Fixed Output DALI Casambi
Finish	Anodised
Dimensions	W 16 mm x H 12 mm
Standard Lengths	1000 mm 2005 mm 3010 mm Custom
Operating Voltage	24V
LED Light Source Power	4.8W - 24W
Material	Aluminium
LED Light Source	Max. W 11.2 mm
Ingress Protection	IP20 IP67
Bending Possibility	No
Lifetime	50,000hrs
Operating Temperature	-25°C ~45°C
Conformity	No UV or IR Emissions, UKCA
Warranty	7 Years
Notes	*Custom lengths available on request, LED light source and lumen efficiency may vary.

DIMENSIONS



PHOTOMETRY



Opal Diffuser 10°

Opal Diffuser 30°

Opal Diffuser 45°

Opal Diffuser 60°

Opal Diffuser 90°

PRODUCT ORDER CODE

EXAMPLE: I-LINE4-S4OAF2005

PREFIX	INSTALLATION	CCT	DIFFUSER	FINISH	DRIVER	LENGTH
I-LINE4 -	S surface	3 3000K	O opal	A anodised aluminium	F fixed output	1000 1000 mm
	SP suspended	4 4000K	C clear		D DALI	2005 2005 mm
	R recessed	TW tunable white			C casambi	3010 3005 mm
		D2W dim2warm				--- custom length*
		RGBW red/green/blue/white				

COMPONENTS



O
opal diffuser



C
clear



A
anodised finish



EC
closed end cap



ECO
open end cap



PDS-STN
surface kit
aluminium



PDS-STN-90D
surface kit
aluminium



PDS-STN-90G
surface kit
aluminium



PL-PDM
surface kit
pc



REG-PD-UV
surface kit



RG-1
suspension kit



K5G-AB
wall kit



FI-60mm
canopy

