

### FEATURES

The CORA GOBO is a contemporary projector light that illuminates exactly where you need it. It features an interchangeable GOBO lens that projects a still image, text or logo design onto any surface area, ideal for accent lighting, museums, exhibitions or showroom areas.

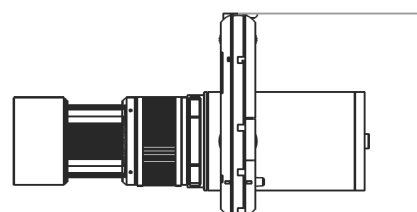
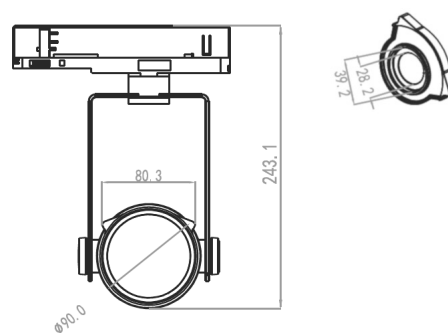
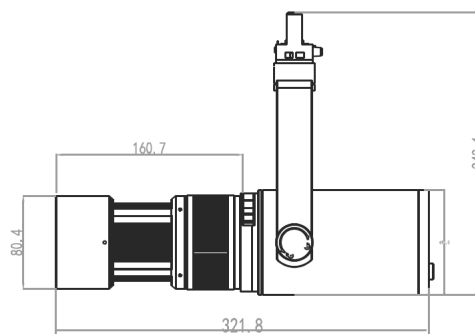
- Efficacy up to 70 lm/W
- High-efficiency CRI90 light source
- Zoomable beam angle 20° - 60°
- 90° adjustable tilt, 355° rotational arm
- Track or surface mounted
- IP20



### SPECIFICATION

### DIMENSIONS

Luminous Flux	1250 - 1750 Lumens
Beam Angle	20° - 60° zoomable
Colour Temperature CCT	2700K   3000K   4000K   5000K
Power Consumption	10W   25W   30W   35W
CRI	90
Efficacy	70 lm/W
MacAdam Ellipse	>3
Dimming	Fixed Output   1-10V   Triac   DALI
Operating Voltage	220 – 240V 50/60Hz
Output Voltage	DC36V
Lifetime	50,000hrs
Finish	White   Black
Installation	Track   Surface Mounted
Diameter Dimensions	∅ 80 mm
Ingress Protection	IP20
Material	Aluminium
Weight	2.8Kg
Operating Temperature	-25°C ~ 45°C
Conformity	Thermal Management System No UV or IR Emissions
Warranty	5 Years





### PRODUCT ORDER CODE

EXAMPLE: CORA-GOBO-T/25W/3K/2060/DALI/BL

PREFIX	INSTALLATION	WATTAGE	CCT	BEAM ANGLE	DRIVER	FINISH
CORA-GOBO-	T track	10W	27K 2700K	2060 20°-60° zoomable	FO fixed output	WH white
		25W	3K 3000K		T triac dimming	
	S surface	30W	4K 4000K		10 1-10V dimming	
		35W	5K 4000K		DALI DALI dimming	