

### FEATURES

NURI is a high-performance LED downlight, its versatility makes it an excellent choice for interior lighting applications.

It features a twist lock bezel, colour temperature options, dimming controls and a range of interchangeable accessories.

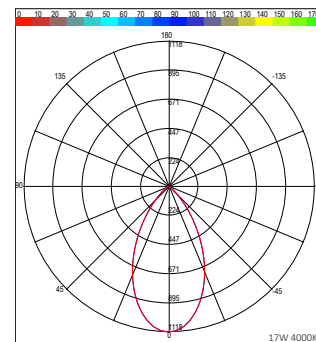
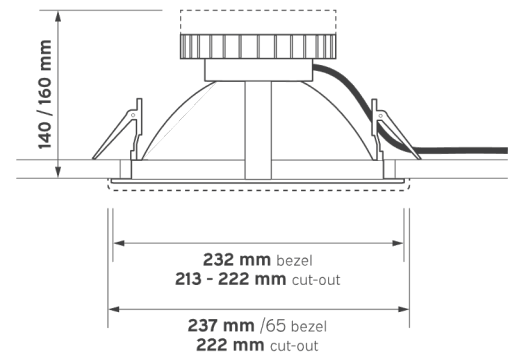
- Efficacy up to 120 lm/W
- 50° satin reflector as standard
- Tridonic advance LED
- Aluminium housing
- UGR compliant, CRI80
- IP20



### SPECIFICATION

Luminous Flux	1067 - 4949 Lumens
Colour Temperature CCT	3000K   4000K
Power Consumption	9W   17W   30W   46W
CRI	>80
Efficacy	Up to 120 lm/W
Dimming	Fixed Output   SwitchDim   DALI
Operating Voltage	220 – 240V
Lifetime	50,000hrs
Finish	White
Installation	Recessed
Dimensions	∅ 232 mm x 160 mm
Cut-out Dimensions	∅ 222 mm
Ingress Protection	IP20
Weight	1.8 kg
Operating Temperature	-25°C ~35°C
Conformity	Thermal Management System No UV or IR Emissions
Warranty	5 Years

### DIMENSIONS



### PRODUCT ORDER CODE

EXAMPLE: NURIMAX/17W/3K/60/DALI/BL/ST

PREFIX	WATTAGE	CCT	REFLECTOR	DRIVER	FINISH	EMERGENCY	CASAMBI
NURI MAX	9W	3K 3000K	40 40° satin as standard	FO fixed output	WH white RAL 9010	ST standard emergency	CAS casambi
	17W	4K 4000K	40 40° multifaceted	SW switchdim	BWH white RAL 9016	DEM dali emergency	
	30W			DALI DALI dimming	BL black RAL 9005		
	46W						

