

## FEATURES

STARLED is a surface-mounted compact luminaire used in a modular manner that can enhance and highlight external architectural details.

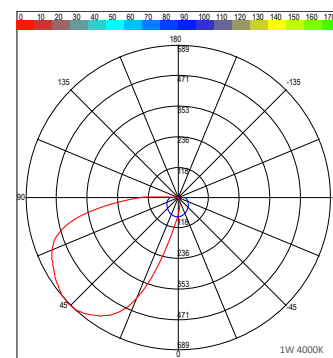
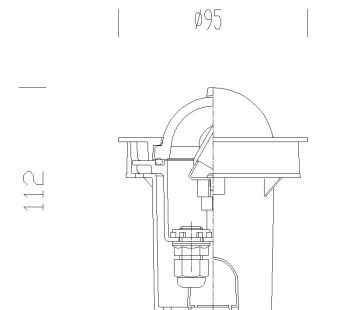
- Efficacy up to 60 lm/W
- Direct illumination
- Die-cast aluminium module
- Corrosion and salt water resistant coating
- Shock/impact resistant glass diffuser
- CRI75
- IP67
- IK08



## SPECIFICATION

Luminous Flux	60 Lumens
Colour Temperature CCT	4000K
Power Consumption	1W
CRI	60
Efficacy	63 lm/W
Dimming	Fixed Output   1-10V   DALI
Operating Voltage	220 – 240V
Lifetime	50,000hrs
Finish	Grey RAL9007
Installation	Surface   Wall
Dimensions	H 112 mm x $\varnothing$ 95 mm
Ingress Protection	IP67
Impact Resistance	IK08
Weight	0.2 kg
Module Material	Die-cast Aluminium Corrosion/Salt Water Resistant
Operating Temperature	-25°C ~50°C
Conformity	Thermal Management System No UV or IR Emissions, EN60598-1, UKCA, CLASS III
Warranty	5 Years

## DIMENSIONS



### PRODUCT ORDER CODE

EXAMPLE: STARLED/1W/4K/FO/G

PREFIX	WATTAGE	CCT	DRIVER	FINISH
STARLED	1W	4K 4000K	FO fixed output  10 1-10V dimming  DALI DALI dimming	G grey RAL9007