

## FEATURES

LEVEL is a versatile low bay fitting with a range of light outputs. Its ambient and uniform illumination is ideal for industrial, sports or commercial applications.

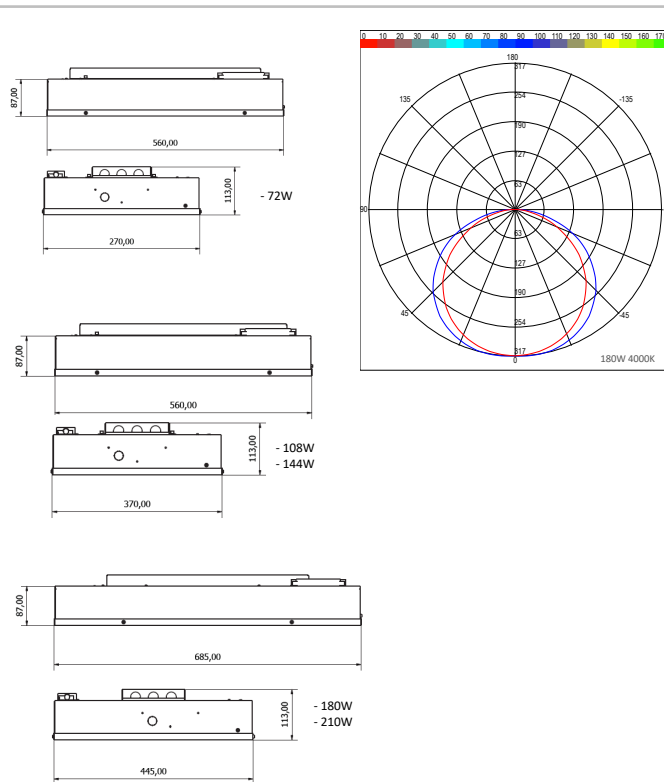
- Efficacy up to 148 lm/W
- Colour temperature choice
- Multiple power/sizes available
- Glare reduction – acrylic diffuser
- Compact driver
- Universal mounting brackets
- Dimming and emergency options
- IP20 or IP65



## SPECIFICATION

Luminous Flux	8730 - 26278 Lumens
Colour Temperature CCT	3000K   4000K   5000K
Power Consumption	72W - 210W
Efficacy	Up to 148.6 lm/W
Dimming	Fixed Output   SwitchDIM   DALI
Lifetime	50,000hrs
Finish	White
Installation	Surface
Dimensions – 72W	560 mm x 87 mm x 270 mm
Dimensions – 108W/144W	560 mm x 87 mm x 370 mm
Dimensions – 180W/210W	685 mm x 87 mm x 445 mm
Emergency Option	Standard Integral Emergency
Ingress Protection	IP20   IP65
Diffuser	Opal Acrylic
Material	Aluminium
Weight	4.8 – 6.1 kg
Operating Temperature	-25°C ~ 50°C
Conformity	Thermal Management System No UV or IR Emissions, UKCA
Warranty	5 Years

## DIMENSIONS



## PRODUCT ORDER CODE

CODE	WATTAGE	DIMENSIONS	CCT	WEIGHT	CURRENT	LUMINAIRE LUMENS	REPLACES
LEVEL/72W/4K	72W	560 mm x 87 mm x 270 mm	4000K	4.8 KG	50A 200µs	8730	150W SON/MH
LEVEL/108W/4K	108W	560 mm x 87 mm x 370 mm	4000K	5.3 KG	59A 176µs	13070	250W SON/MH
LEVEL/144W/4K	144W	560 mm x 87 mm x 370 mm	4000K	5.7 KG	59A 176µs	17500	250W /400 SON/MH
LEVEL/80W/4K	180W	685 mm x 87 mm x 445 mm	4000K	5.8 KG	59A 176µs	22200	400W SON
LEVEL/210W/4K	210W	685 mm x 87 mm x 445 mm	4000K	6.1 KG	108A 176µs	26278	600W MH

ADDITIONAL OPTIONS		
<b>3K</b>		3000K colour temperature
<b>5K</b>		5000K colour temperature
<b>FO</b>		Fixed Output
<b>SW</b>		SwitchDim
<b>DALI</b>		DALI dimming
<b>ST</b>		Standard integral emergency self-test
<b>CF</b>		Corridor function
<b>MWP</b>		Programmable MW sensor
<b>PIR</b>		Programmable PIR sensor
<b>IP65</b>		IP65 version
<b>S</b>		Surface mounting bracket