

FEATURES

FRONTE is a semi-recessed mounted luminaire, ideal for wall application and highlighting external architectural details.

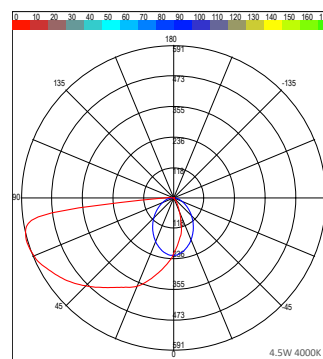
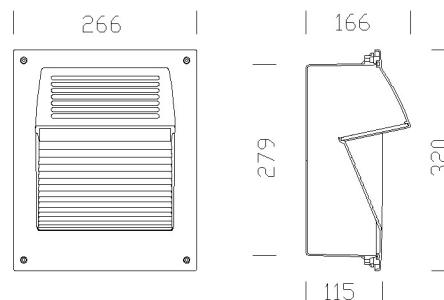
- Efficacy up to 17 lm/W
- Direct/indirect illumination
- Die-cast aluminium module
- 4 mm thick toughened glass diffuser
- Corrosion and salt water resistant coating
- CRI80
- IP65
- IK06



SPECIFICATION

Luminous Flux	76 Lumens
Colour Temperature CCT	4000K
Power Consumption	4.5 W
CRI	80
Efficacy	17 lm/W
Dimming	Fixed Output 1-10V DALI
Operating Voltage	220 – 240V
Lifetime	50,000hrs
Finish	Grey RAL9007
Installation	Surface Wall
Dimensions	W 266 mm x H 320mm x W 166 mm
Recessed Dimension	L 316 mm x W 262 mm
Ingress Protection	IP65
Impact Resistance	IK06
Weight	2.2 kg
Diffuser Material	4mm Tempered Glass
Module Material	Die-cast Aluminium Corrosion/Salt Water Resistant
Operating Temperature	-25°C ~50°C
Conformity	Thermal Management System No UV or IR Emissions, EN60598-1, UKCA, CLASS II
Warranty	5 Years

DIMENSIONS



PRODUCT ORDER CODE

EXAMPLE: FONTE/4.5W/4K/FO/G

PREFIX	WATTAGE	CCT	DRIVER	FINISH
CILINDRO	4.5W	4K 4000K	FO fixed output 10 1-10V dimming DALI DALI dimming	G grey RAL9007