

FEATURES

CILINDRO is a direct/indirect surface-mounted luminaire used in a modular manner that can enhance full and empty spaces, highlighting external architectural details.

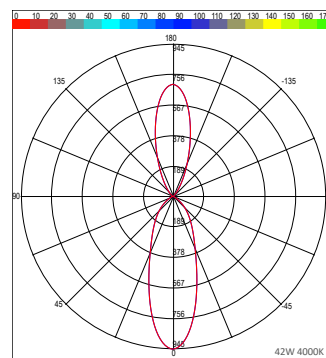
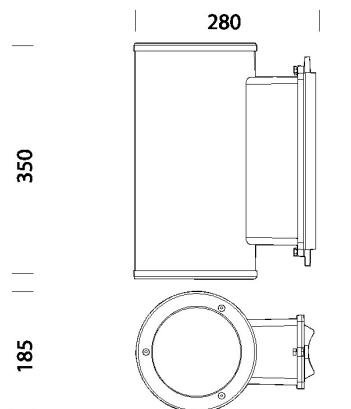
- Efficacy up to 63 lm/W
- Direct/indirect illumination
- Die-cast aluminium module
- 4 mm thick tempered glass diffuser
- Corrosion and salt water resistant coating
- CRI90
- IP65
- IK08



SPECIFICATION

Luminous Flux	2663 Lumens
Colour Temperature CCT	4000K
Power Consumption	42W
CRI	90
Efficacy	63 lm/W
Dimming	Fixed Output 1-10V DALI
Operating Voltage	220 – 240V
Lifetime	50,000hrs
Finish	Grey RAL9007
Installation	Surface Wall
Dimensions	H 350 mm x W 280 mm x Ø 185 mm
Ingress Protection	IP65
Impact Resistance	IK08
Weight	5.4 kg
Diffuser Material	4mm Tempered Glass
Module Material	Die-cast Aluminium Corrosion/Salt Water Resistant
Operating Temperature	-25°C ~50°C
Conformity	Thermal Management System No UV or IR Emissions, EN60598-1, Surge Protection EN61547, UKCA, CLASS I
Warranty	5 Years

DIMENSIONS



PRODUCT ORDER CODE

EXAMPLE: CILINDRO/42W/4K/FO/G

PREFIX	WATTAGE	CCT	DRIVER	FINISH
CILINDRO	42W	4K 4000K	FO fixed output 10 1-10V dimming DALI DALI dimming	G grey RAL9007