

FEATURES

The APOLLO is a durable and decorative high bay luminaire ideal for a range of industrial premises, factories, sports centres and commercial applications.

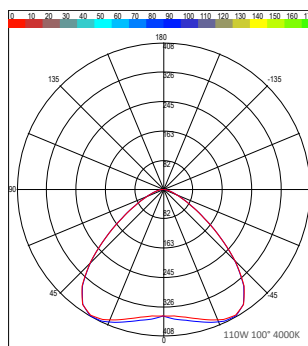
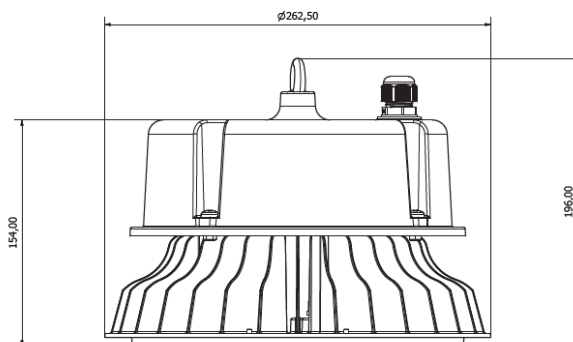
- Efficacy up to 157 lm/W
- Colour temperature choice
- Lens options 70° or 100°
- Compact driver
- DALI dimming controls
- Integral emergency options
- Aluminium reflector available
- IP65



SPECIFICATION

Luminous Flux	12961 – 23435 Lumens
Colour Temperature CCT	3000K 4000K 5000K 6500K
Power Consumption	83W 104W 110W 152W 165W
Lens	70° 100°
Efficacy	Up to 157 lm/W
Inrush Current	46A
No. Per 10A Breaker	24
Dimming	Fixed Output SwitchDIM DALI
Lifetime	50,000hrs
Finish	Black RAL
Installation	Suspended
Dimensions	Ø262.5 mm x 154 mm
Material	Aluminium
Weight	2.1 kg
Emergency Option	Standard Integral Emergency
Additional Options	Spun aluminium reflector PIR sensor
Ingress Protection	IP65
Operating Temperature	-25°C ~ 50°C
Conformity	Thermal Management System No UV or IR Emissions, UKCA
Warranty	5 Years

DIMENSIONS



PRODUCT ORDER CODE

CODE	WATTAGE	LENS	CCT	DRIVER	LUMINAIRE LUMENS	REPLACES
APOLLO/83W/70/4K/DALI	83W	70° lens	4000K	DALI	11611	150W MH
APOLLO/83W/100/4K/DALI	83W	100° lens	4000K	DALI	11611	150W MH
APOLLO/104W/70/4K/DALI	104W	70° lens	4000K	DALI	13521	250W MH
APOLLO/104W/100/4K/DALI	104W	100° lens	4000K	DALI	13521	250W MH
APOLLO/110W/70/4K/DALI	110W	70° lens	4000K	DALI	16392	250W MH
APOLLO/110W/100/4K/DALI	110W	100° lens	4000K	DALI	16392	250W MH
APOLLO/152W/70/4K/DALI	152W	70° lens	4000K	DALI	18188	250W MH
APOLLO/152W/100/4K/DALI	152W	100° lens	4000K	DALI	18188	250W MH
APOLLO/165W/70/4K/DALI	165W	70° lens	4000K	DALI	23435	400W MH
APOLLO/165W/100/4K/DALI	165W	100° lens	4000K	DALI	23435	400W MH

ADDITIONAL OPTIONS		
3K		3000K colour temperature
5K		5000K colour temperature
FO		Fixed Output
SW		SwitchDim
ST		Standard integral emergency self-test
PIR		Programmable PIR
BL		Black finish
RAL		Custom RAL colour

