

FEATURES

ALTAN is a high-performance LED suspended pendant, powered by Philips. Its options and accessories make it an excellent choice for interior lighting applications.

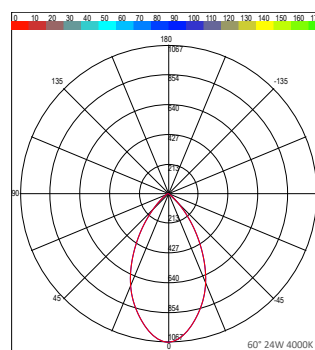
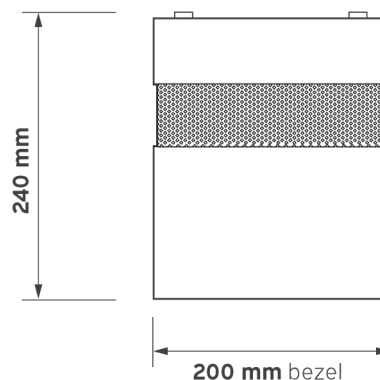
- Efficacy up to 91 lm/W
- 60° satin reflector as standard
- Alternative reflector options available
- Choice of paint finish options
- Emergency options
- UGR compliant, CRI80
- IP20



SPECIFICATION

Luminous Flux	1200 - 3800 Lumens
UGR	<19
Colour Temperature CCT	3000K 4000K
Power Consumption	14W 24W 34W 46W
CRI	>80
Efficacy	91 lm/W
Dimming	Fixed Output 1-10V DALI
Operating Voltage	220 – 240V
Operating Frequency	50-60Hz
Lifetime	50,000hrs
Finish	White Grey Black RAL
Installation	Pendant - 2m suspension kit
Dimensions	∅ 200 mm x 240 mm
Material	Aluminium housing
Ingress Protection	IP20
Weight	3 kg
Operating Temperature	-25°C ~35°C
Conformity	Thermal Management System No UV or IR Emissions, UKCA
Warranty	5 Years

DIMENSIONS



PRODUCT ORDER CODE

EXAMPLE: ALTAN-P/24W/4K/60/DALI/WH/DEM

PREFIX	WATTAGE	CCT	REFLECTOR	DRIVER	FINISH	EMERGENCY	CASAMBI
ALTAN-P	14W	3K 3000K	60 60° satin as standard	FO fixed output	WH white	ST standard emergency	CAS casambi
	24W	4K 4000K	50 50° multifaceted	10 1-10V	GR grey	DEM dali emergency	
	34W		40 40° specular	DALI DALI dimming	BL black		
	46W				RAL custom RAL		