

FEATURES

NURI is a high-performance LED downlight, its versatility makes it an excellent choice for interior lighting applications.

It features a twist lock bezel, colour temperature options, dimming controls and a range of interchangeable accessories.

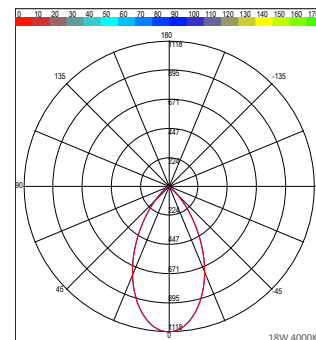
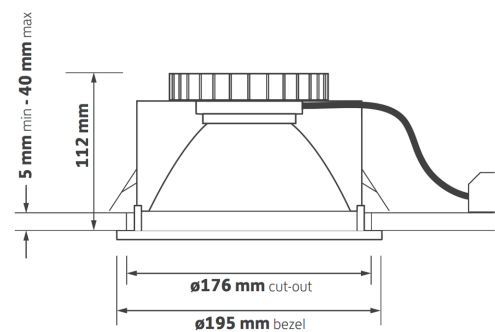
- Efficacy up to 110 lm/W
- 60° satin reflector as standard
- Tridonic advance LED
- Aluminium housing
- UGR compliant, CRI80
- IP20



SPECIFICATION

Luminous Flux	1150 - 2825 Lumens
UGR	<19
Colour Temperature CCT	3000K 4000K
Power Consumption	11W 18W 26W
CRI	>80
Efficacy	107 - 110 lm/W
Dimming	Fixed Output SwitchDim DALI
Operating Voltage	220 – 240V
Lifetime	50,000hrs
Finish	White
Installation	Recessed
Dimensions	∅ 195 mm x 112 mm
Cut-out Dimensions	∅ 176 mm
Ingress Protection	IP20
Weight	1.8 kg
Operating Temperature	-25°C ~35°C
Conformity	Thermal Management System No UV or IR Emissions
Warranty	5 Years

DIMENSIONS



PRODUCT ORDER CODE

EXAMPLE: NURI/18W/3K/60/DALI/BL/ST

PREFIX	WATTAGE	CCT	REFLECTOR	DRIVER	FINISH	EMERGENCY	CASAMBI
NURI	11W	3K 3000K	60 60° satin as standard	FO fixed output	WH white RAL 9010	ST standard emergency	CAS casambi
	18W	4K 4000K	50 50° multifaceted	SW switchdim	BWH white RAL 9016	DEM dali emergency	
	26W		40 40° specular	DALI DALI dimming	BL black RAL 9005		

